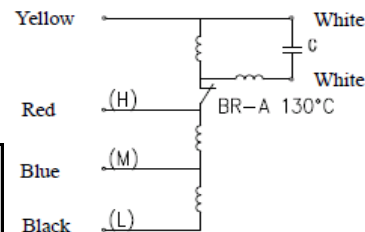
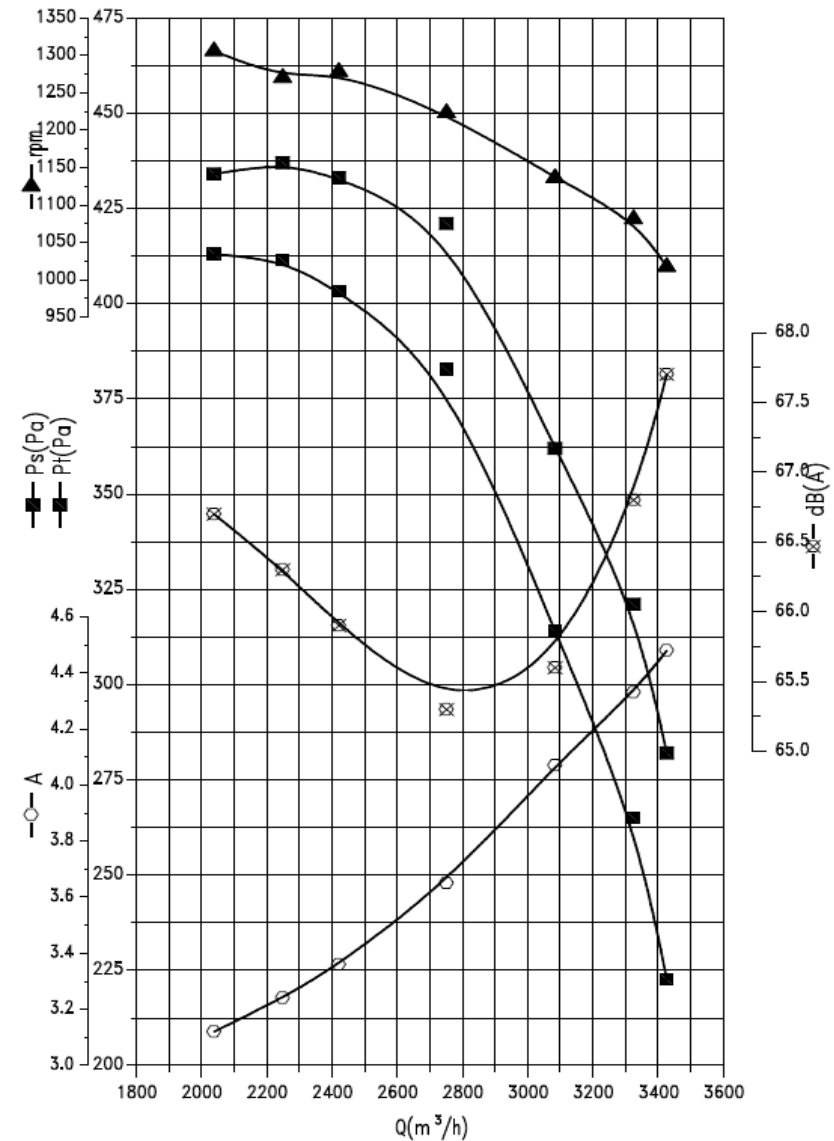


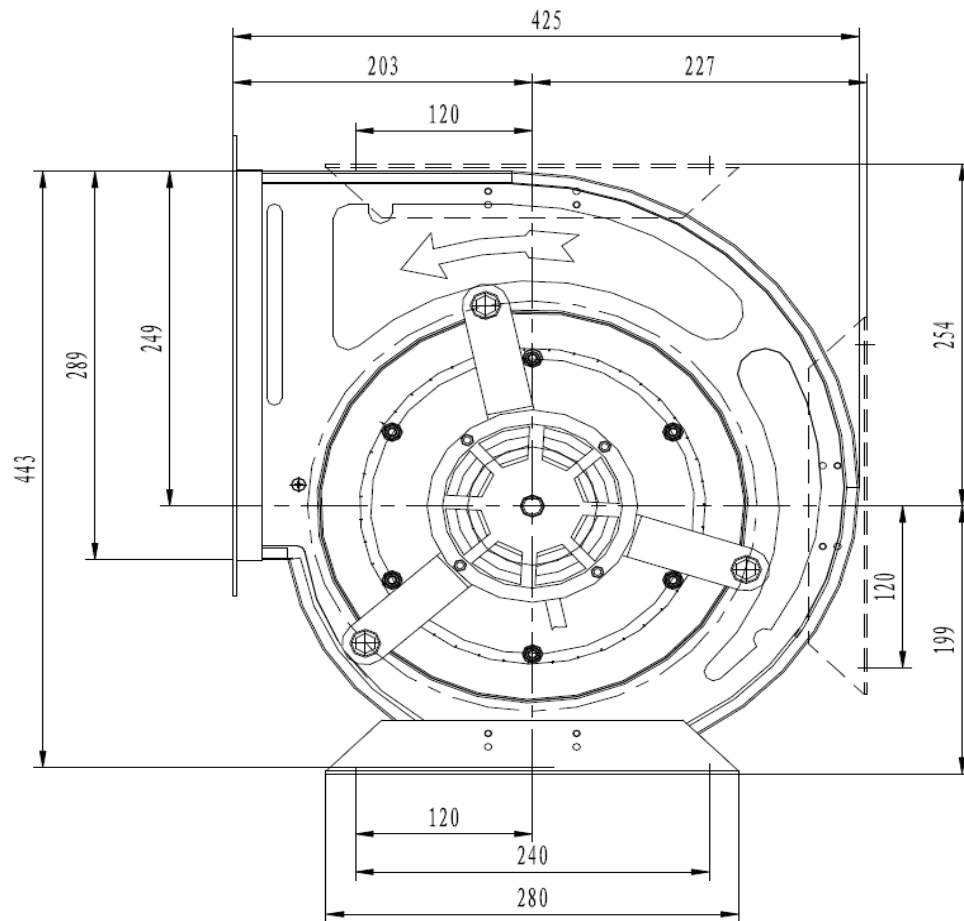
S-vent Qlabel 10-10-1400

Parameter

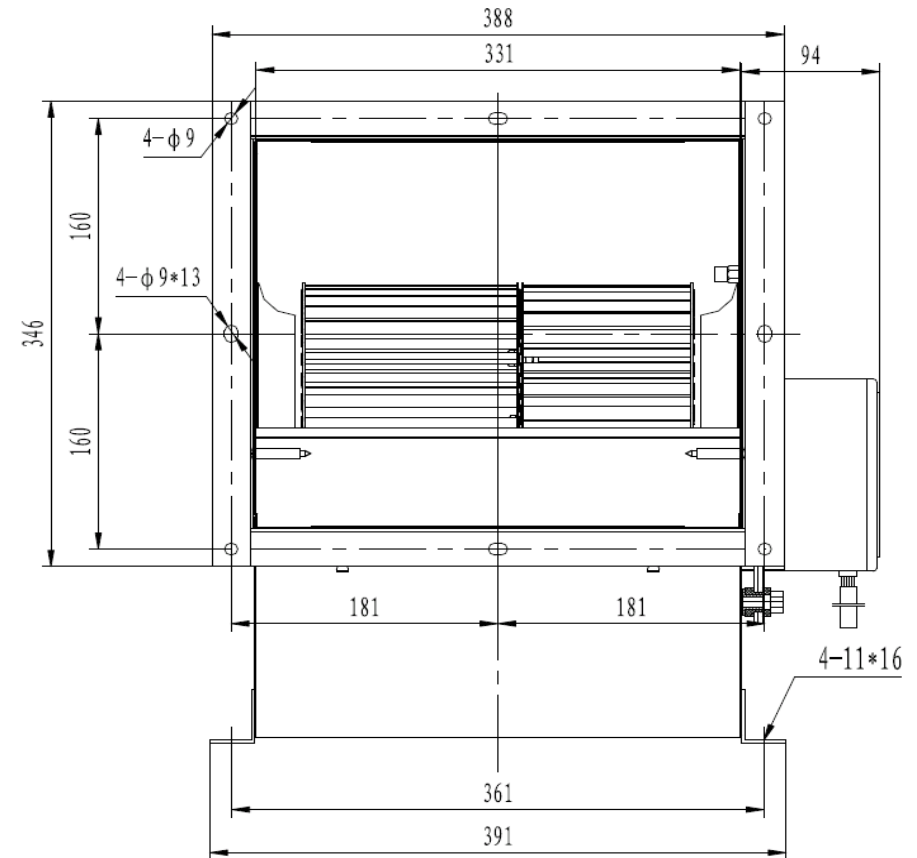
Fan Model No:	SVQ 10-10-1400
Voltage:	220V
Voltage range:	207~243V
Power:	550W
Pole:	4 Pole
Capacitor:	20μF 450V
Frequency:	50Hz
Electric Current:	4,55A
Humidity:	90% RH
Level of Protection:	IP30
Protection Tmp:	130°C
Recovery Temperature:	90°C
Insulation Grade:	B
Operating Temperature Range:	-15°C~+40°C
Operation Humidity Range:	0%~90% RH
Air Volume:	2000-3200 m3/h
Pressure:	290-430Pa
Rotation Speed:	1050-1350 rpm
Noise:	65-67,5dB (A)



Test environment complies with ISO5801-1997. Noise is tested at a distance of 1 meter from the air inlet.



Maxi-Trade Luchtventilatie



www.maxi-trade.nl/shop