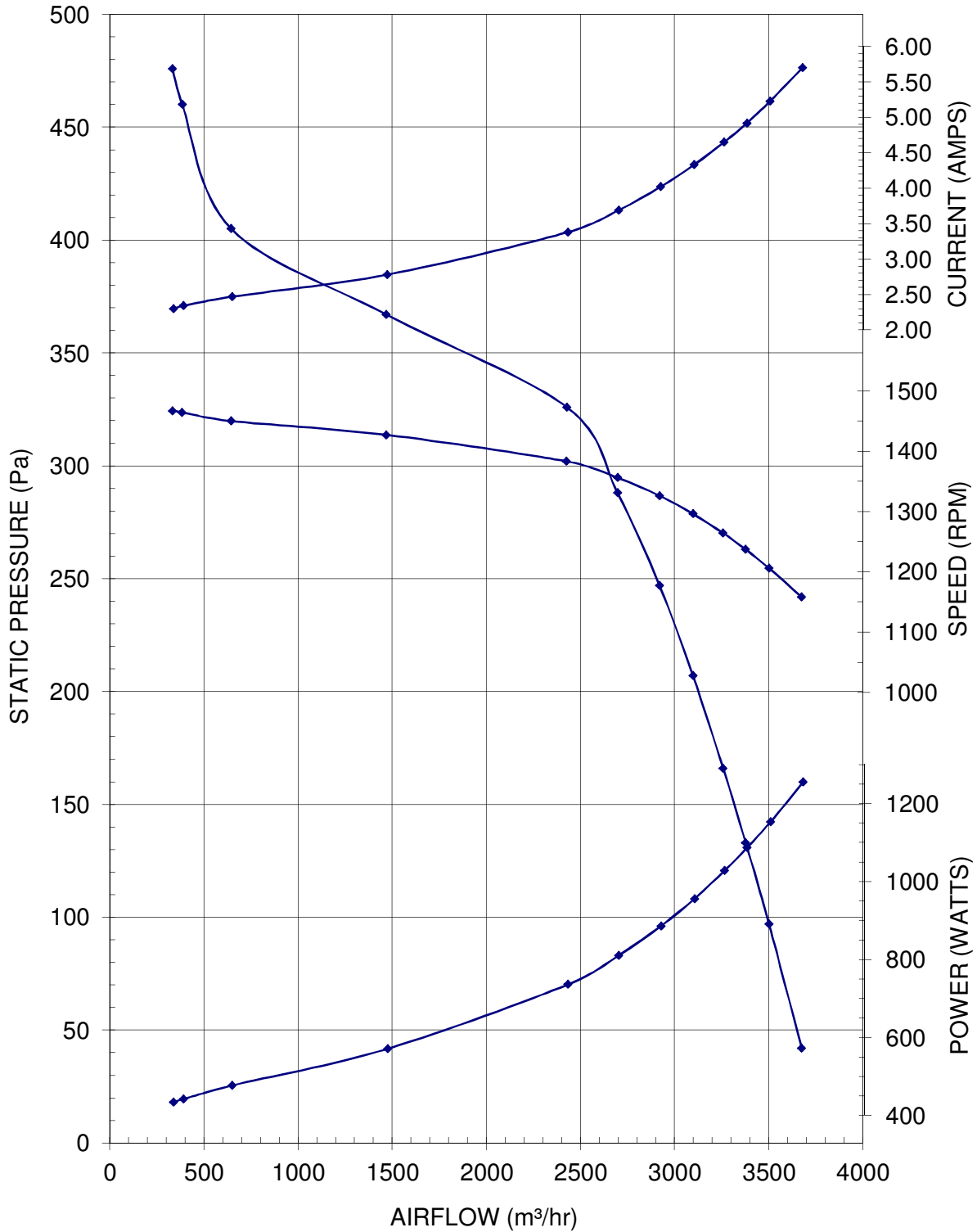
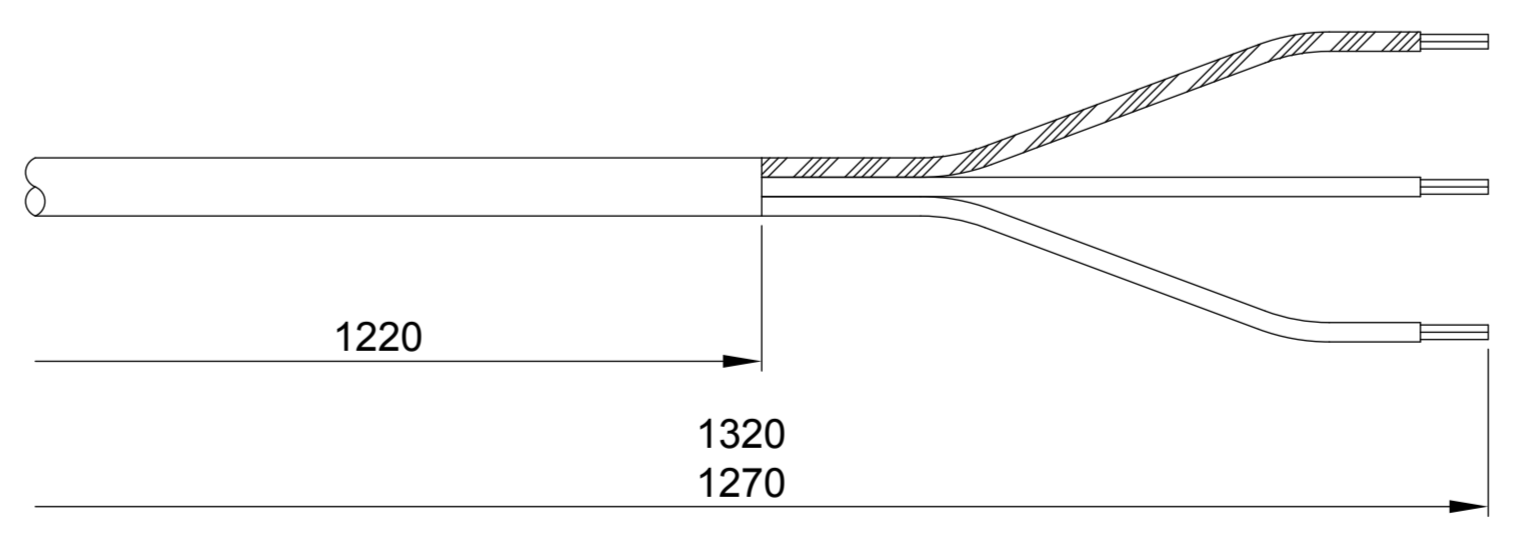
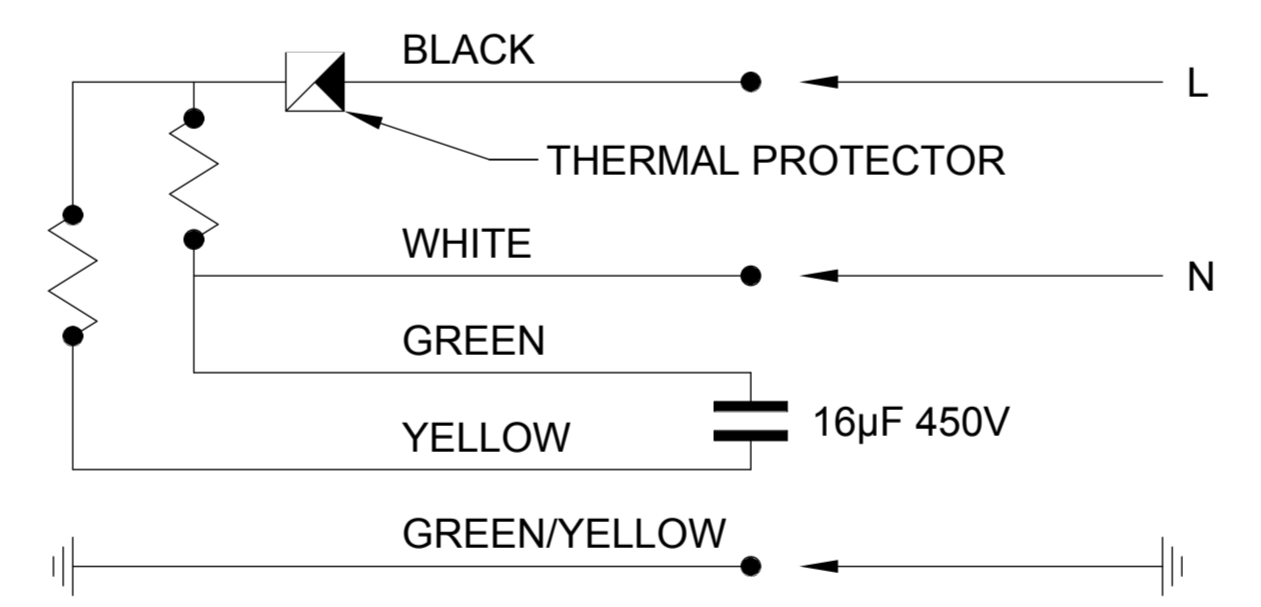
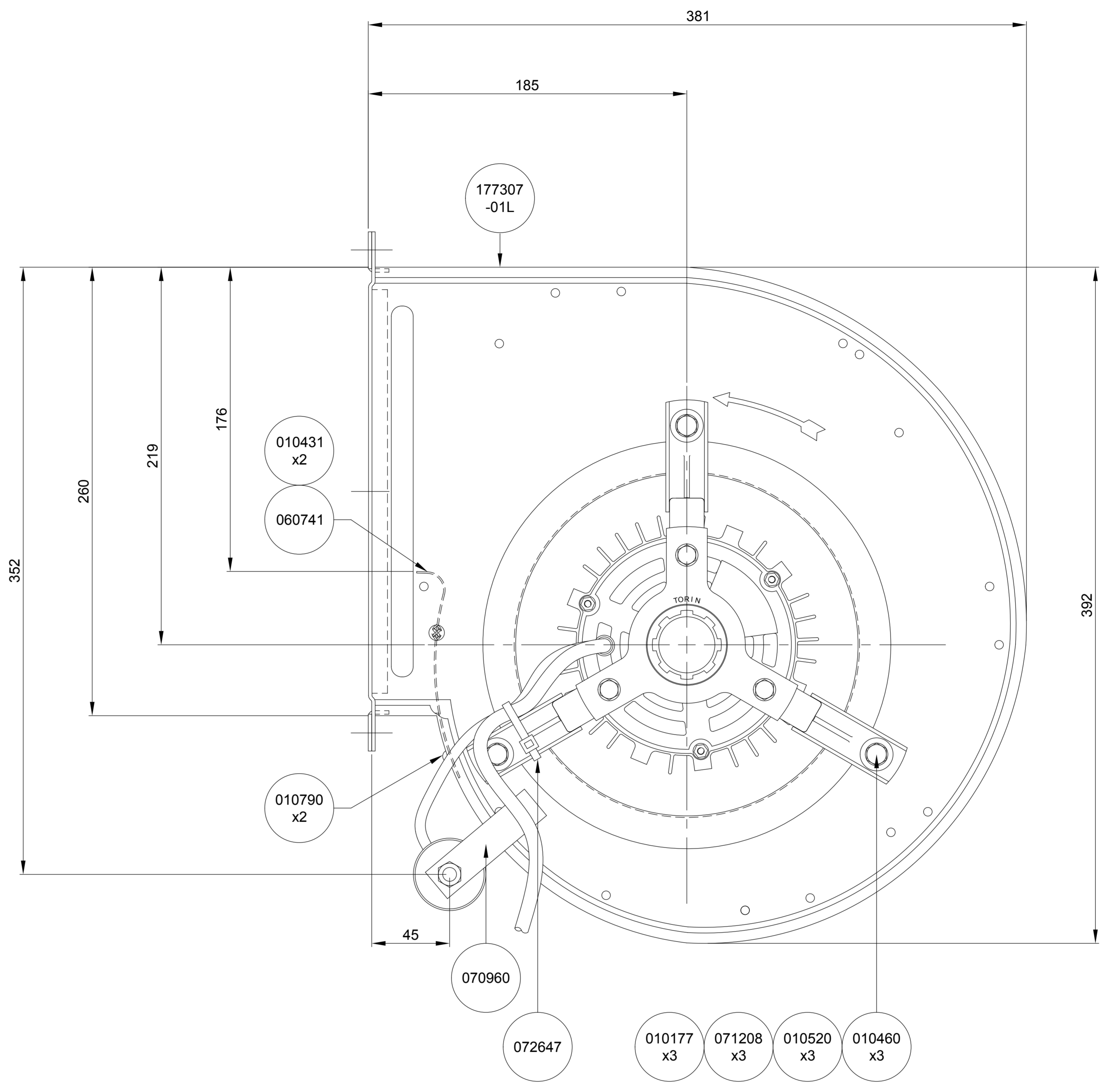
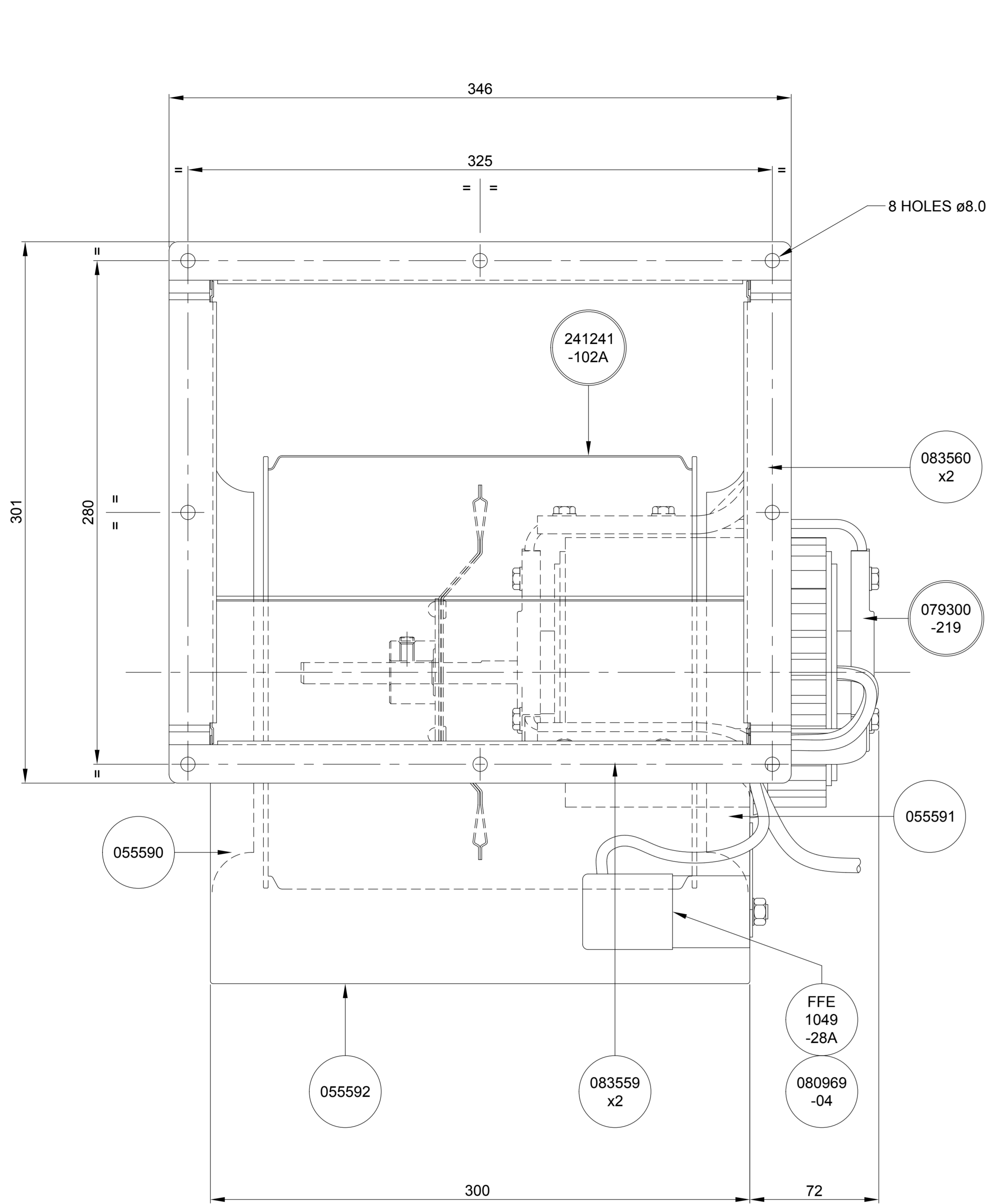


**DDC241-241-550W-4P-1SP**  
**230V 50Hz 16MFD 6.0A**





**torin-sifan**  
The Partner of Choice

Model Number: 177307-01  
Description: DDC241-241 0550 4 1 AC 16

Overall Efficiency: 29.9%  
Measurement Type: A  
Efficiency Type: Static  
FMEG: 37  
VSD: Not required  
Place of Manufacture: Swindon, England  
Electrical Supply: 230V 50Hz  
Insulation Class: F  
Input Power: 1255W  
IP Rating: 30  
Date Code: WWYY (W/ORDER)

LABEL DETAIL

**NOTES:-**

ALL UNTOLERANCED DIMENSIONS ARE FOR REFERENCE PURPOSES ONLY.

THIS PRODUCT MUST BE EARTHED.

WARNING - ROTATING PARTS. HANDLING, INSTALLATION AND GUARDING PRECAUTIONS MUST BE TAKEN.

INSTALLATION AND OPERATION BY QUALIFIED PERSONNEL ONLY.

THIS PRODUCT IS INTENDED FOR USE WITHIN THIRD PARTY OEM EQUIPMENT. CORRECT GUARDING AND INTERLOCKING ARE THE RESPONSIBILITY OF THE THIRD PARTY OEM EQUIPMENT MANUFACTURER. THIS EQUIPMENT SHOULD NOT BE OPERATED WITHOUT APPROPRIATE GUARDS AND INTERLOCKS IN PLACE. INSTRUCTIONS AND MARKING FOR SAFE USE IN APPLICATION ARE THE RESPONSIBILITY OF THE THIRD PARTY OEM EQUIPMENT MANUFACTURER.

CARE SHOULD BE TAKEN DURING HANDLING - SHARP/POINTED EDGES MAY EXIST ON THE PRODUCT.

CORRECT CONNECTION TO THE SUPPLY MAINS IS THE RESPONSIBILITY OF THE THIRD PARTY OEM EQUIPMENT MANUFACTURER. SUITABLE SUPPLY PROTECTION AND ISOLATION MUST BE PROVIDED. EXTERNAL CABLING SHOULD NOT RUN OVER SHARP EDGES.

DAMAGE TO MAINS SUPPLY CABLES SHOULD BE REPAIRED BY QUALIFIED PERSONNEL ONLY.

CABLES SHOULD BE KEPT CLEAR OF HOT SURFACES.

MOTOR RATING IP30

1	ISSUED	03/12/12	18938
ISS. MODIFICATION	DATE	C/N NO.	
MATERIAL			
<b>GALVANISED STEEL</b>			
FINISH			
<b>NATURAL</b>			
FIRST USED ON			
SIMILAR TO			
078856			
DIRECTORY PATH			
ASY\DDC\241-241\WF\177307-01			
TITLE			
<b>DDC241-241 230V 50Hz 550W (MAX INPUT 1255W) 4 POLE 1 SPEED CLASS F</b>			
DRAWING NO.			
<b>177307-01</b>			

**Torin Limited**  
Drakes Way  
Swindon Wiltshire  
SN3 3JB  
Tel : (01793) 524291

THIS DRAWING AND SPECIFICATIONS IS THE EXCLUSIVE PROPERTY OF TORIN LIMITED, ISSUED IN STRICT CONFIDENCE AND SHALL NOT BE REPRODUCED, COPIED OR USED FOR ANY REASON OTHER THAN WHICH IT IS ISSUED, WITHOUT THE WRITTEN PERMISSION OF TORIN LIMITED.

© TORIN LIMITED

PRODUCT TYPE: LARGE BLOWER	
TECH 1: AC <input checked="" type="checkbox"/> EC <input type="checkbox"/>	
TECH 2: AC <input checked="" type="checkbox"/> BD <input type="checkbox"/> CP <input type="checkbox"/> DC <input type="checkbox"/> ECI <input type="checkbox"/> ECR <input type="checkbox"/>	
ERP DIRECTIVE: Y	Ng/EN ARTICLE: 37

PROJECTION	
DRAWING GENERALLY CONFORMS TO BS 8888	
ALL BS TO LATEST ISSUE	

DR. <b>SM</b>	CHKD	AP.	<b>A2</b>
DATE	DATE	DATE	
03/12/12			
DIMENSIONS IN MILLIMETRES			
SCALE: N.T.S. (UNLESS OTHERWISE STATED)			

**177307-01**

DRAWING NO.