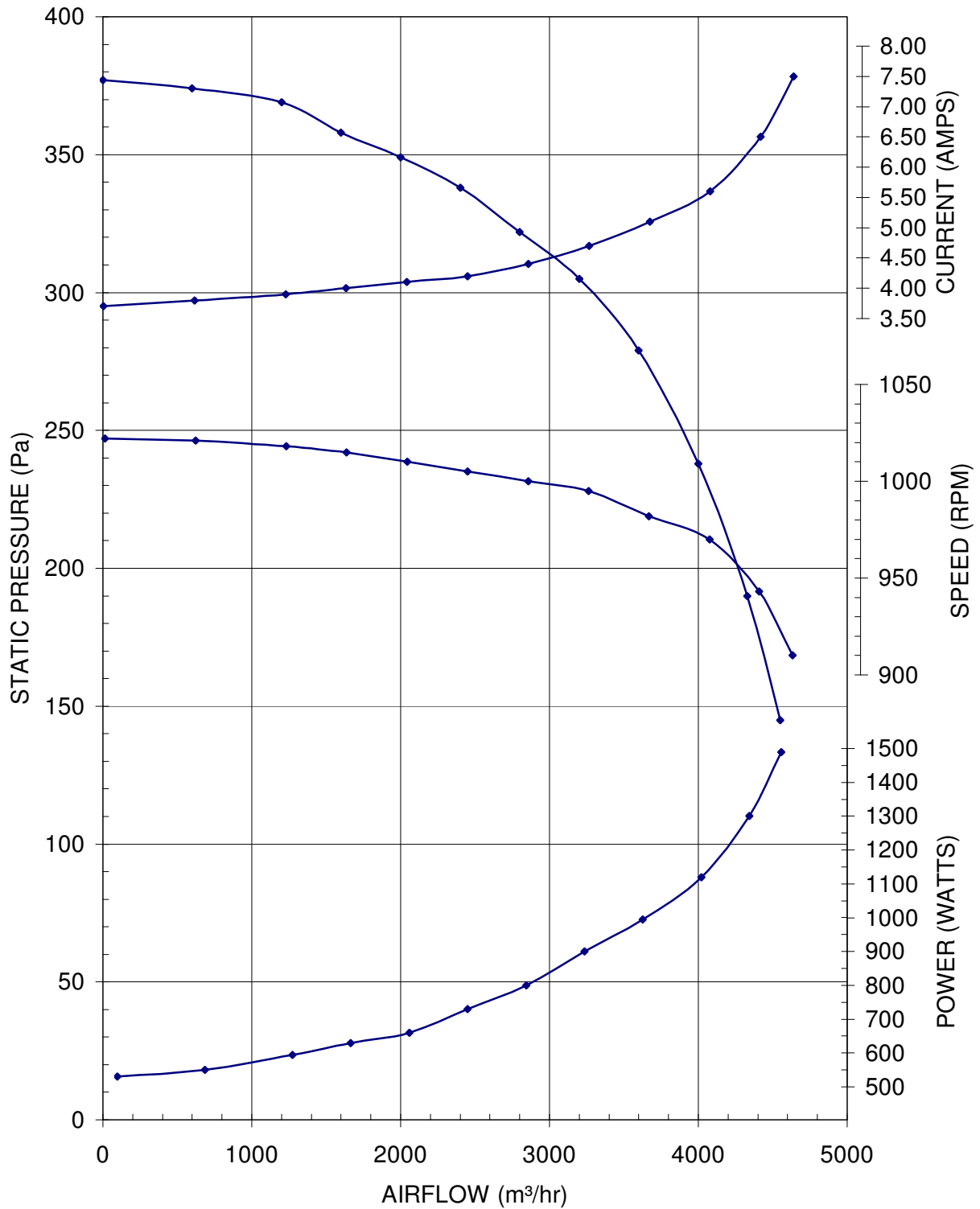
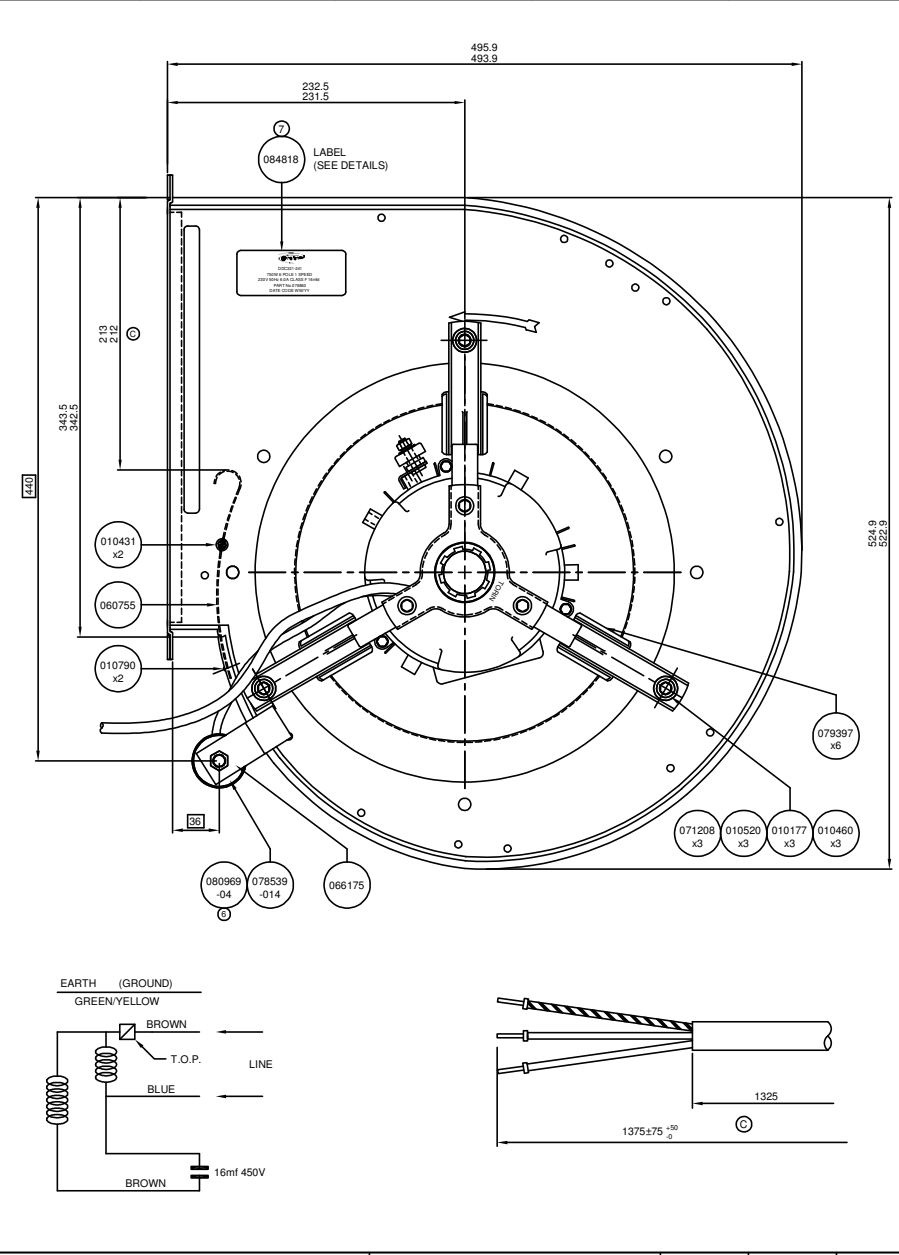
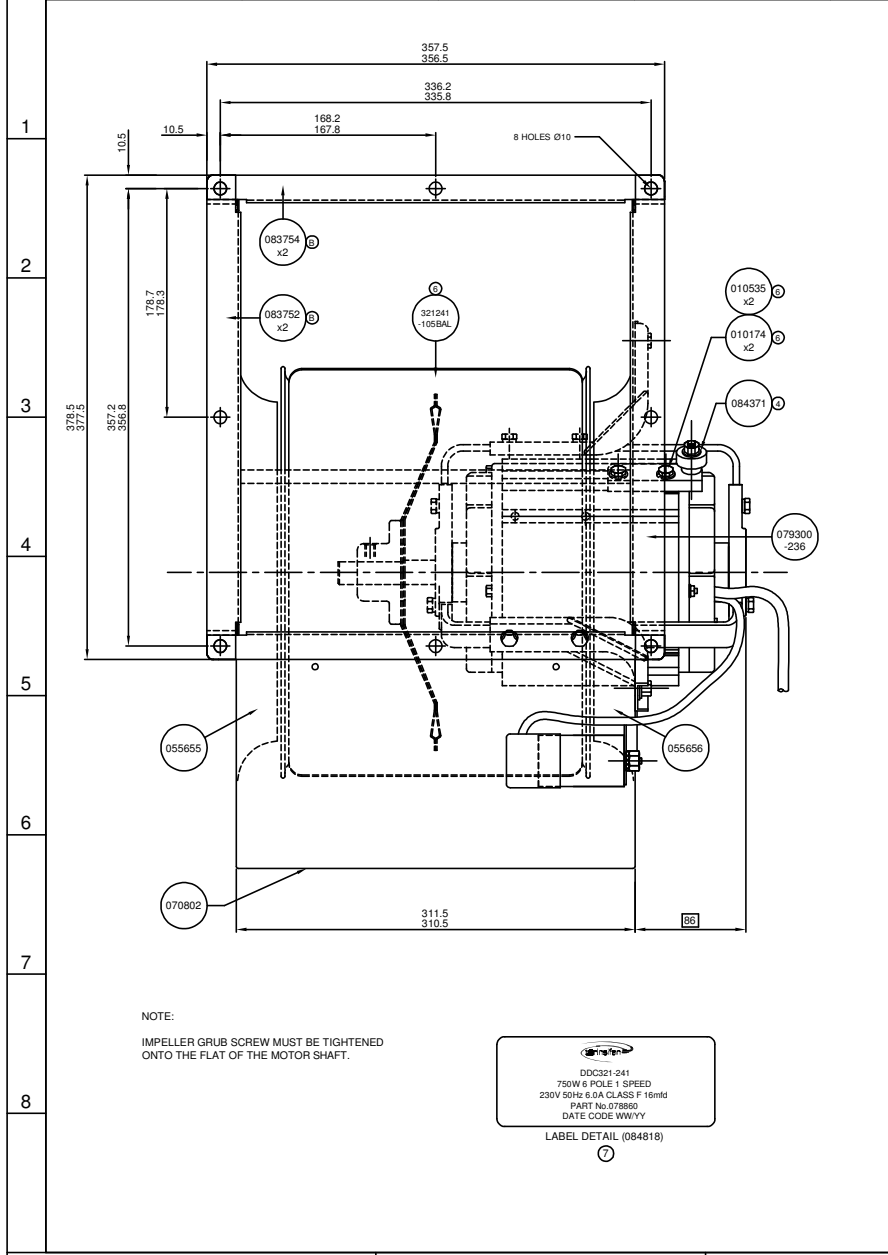
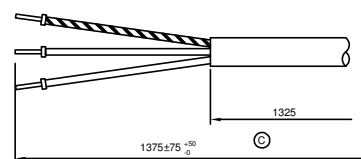
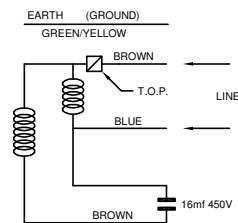


DDC321-241-750W-6P-1SP
230V 50Hz 16MFD 7.5A





NOTE:
IMPELLER GRUB SCREW MUST BE TIGHTENED ONTO THE FLAT OF THE MOTOR SHAFT.



ISS. MODIFICATION	DATE	C/N NO.
7	10/11/06	17062
6	22/09/06	17017
5	23/06/06	16975
4	04/12/03	16312
C	07/06/02	16014
B	17/11/99	15423
A	16/05/94	13690

MATERIAL
GALV

FINISH
NATURAL

FIRST USED ON

SIMILAR TO
078860-00

DIRECTORY PATH
ASY/DDC/321-241/WF/078860

TITLE

**DDC321-241 230V 50Hz
750W 6 POLE 1 SPEED**

DRAWING NO.
078860

Torin Limited
Drakes Way
Swindon Wiltshire
SN3 3JB
Tel : (01793) 524291

THIS DRAWING AND SPECIFICATIONS IS THE EXCLUSIVE PROPERTY OF TORIN LIMITED, ISSUED IN STRICT CONFIDENCE AND SHALL NOT BE REPRODUCED, COPIED OR USED FOR ANY REASON OTHER THAN WHICH IT IS ISSUED, WITHOUT THE WRITTEN PERMISSION OF TORIN LIMITED.

● TORIN LIMITED

PROJECTION

DRAWING GENERALLY CONFORMS TO BS 8888

ALL BS TO LATEST ISSUE

DR. DA	AP.	A2
DATE 10/06/02	DATE	
DIMENSIONS IN MILLIMETRES		0988Z0
SCALE: NTS (UNLESS OTHERWISE STATED)		