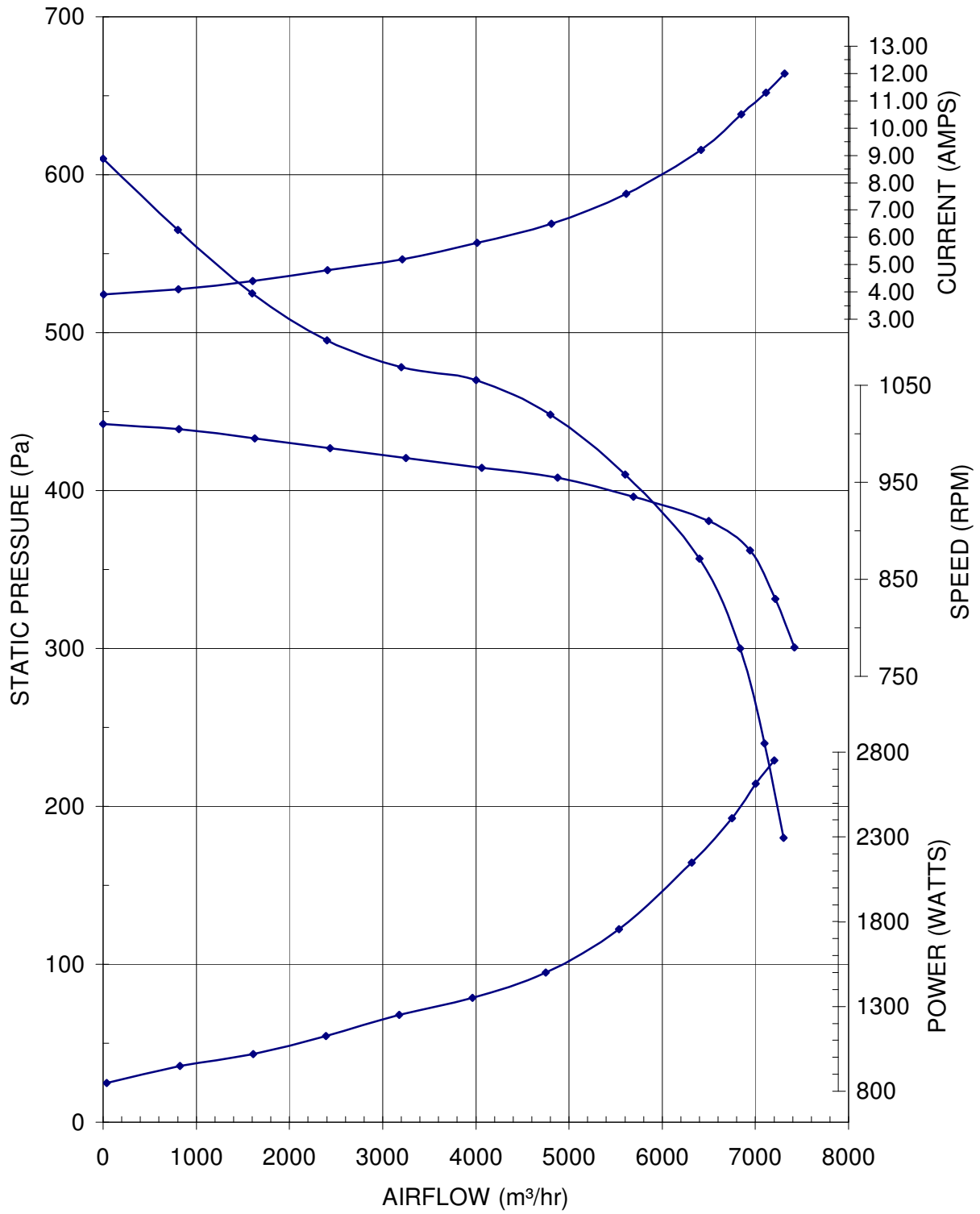
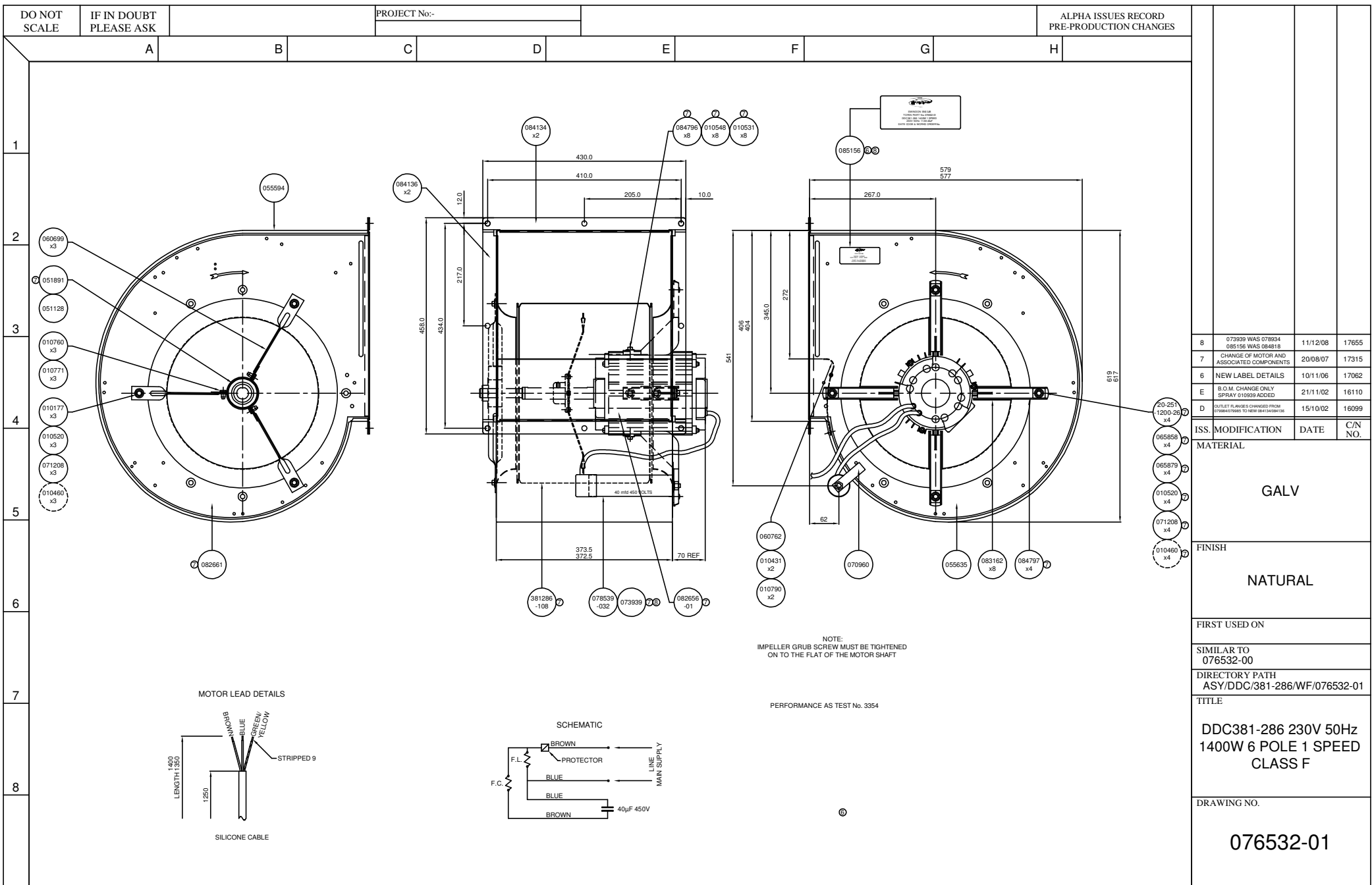


DDC381-286-1400W-6P-1SP
230V 50Hz 40Mfd 12.0A





8	073929 WAS 078234 085156 WAS 084818	11/12/08	17655
7	CHANGE OF MOTOR AND ASSOCIATED COMPONENTS	20/08/07	17315
6	NEW LABEL DETAILS	10/11/06	17062
E	B.O.M. CHANGE ONLY SPRAY 010939 ADDED	21/11/02	16110
D	OUTLET FLANGES CHANGED FROM 100MM TO 120MM TO NEW 041000000000	15/10/02	16099

ISS.	MODIFICATION	DATE	C/N NO.
------	--------------	------	---------

MATERIAL

GALV

FINISH

NATURAL

FIRST USED ON

SIMILAR TO
076532-00

DIRECTORY PATH
ASY/DDC/381-286/WF/076532-01

TITLE

DDC381-286 230V 50Hz
1400W 6 POLE 1 SPEED
CLASS F

DRAWING NO.

076532-01

Torin Limited
Drakes Way
Swindon Wiltshire
SN3 3JB
Tel : (01793) 524291

THIS DRAWING AND SPECIFICATIONS IS THE EXCLUSIVE PROPERTY OF TORIN LIMITED. ISSUED IN STRICT CONFIDENCE AND SHALL NOT BE REPRODUCED, COPIED OR USED FOR ANY REASON OTHER THAN WHICH IT IS ISSUED, WITHOUT THE WRITTEN PERMISSION OF TORIN LIMITED.

TORIN LIMITED

PROJECTION

DRAWING GENERALLY CONFORMS TO BS 8888

ALL BS TO LATEST ISSUE

DR	SM	AP.
DATE	DATE	
20/08/07		

A2

DIMENSIONS IN MILLIMETRES

SCALE: NTS
(UNLESS OTHERWISE STATED)

076532-01

DRAWING NO.