

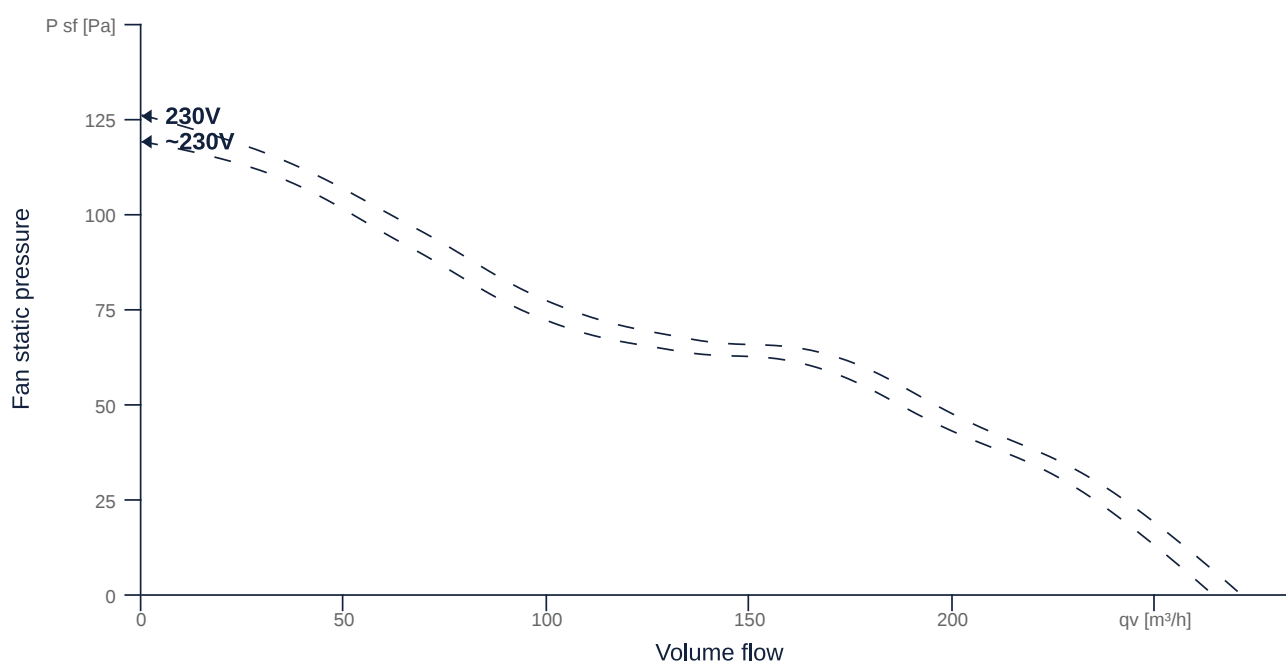
EM 150 E2 02

136417

- Innovative, high-efficiency diagonal fan
- Optimally tuned, CFD-optimized aerodynamics
- Housing made of impact-resistant, reinforced polypropylene
- Robust single phase AC motor, steplessly controllable
- Conveyed medium temperature up to 40 °C in continuous operation
- The benchmark for efficiency since 2012



MAP



GENERAL DATA

Name	Value	Unit	Formula symbol
Duct size	-		WxHduct
Pipe connection size (DN)	DN150		DN
Electrical protection (entire device)	20 A		fuse
Housing material	Plastic		matcasing
Impeller material	Plastic		matimpeller
IP-protection class (entire device)	IPX2		IPcompl
Weight	0.98	kg	m
Fan type	Diagonal		Fantype
Category / Installation situation	A		cat
Sound insulation	No		sndins
Rated voltage (entire device)	230.000000		Urated
Phases (entire device)	1~		phase

EM 150 E2 02

136417

MAXIMAL DATA

Name	Value	Unit	Formula symbol
Max. power consumption (device)	29	W	$P_{ed, max}$
Max. operating current (device)	0.29	A	$I_{ed, max}$
Max. speed	2600	1/min	n_{max}
Max. stat. efficiency	10	%	η_{es}
Max. fan efficiency	10.6	%	η_e
Max. flowrate	270	m ³ /h	$q_{v, max}$
Max. stat pressure	125	Pa	$p_{sf, max}$
Max. medium temperature	40	°C	$T_{m, max}$
Max. environment temperature	40	°C	$T_{amb, max}$
Min. environment temperature	-25	°C	$T_{amb, min}$

MOTOR DATA

Name	Value		Unit	Formula symbol
	50 Hz	60 Hz		
Rated frequency (device)	50.000000			f
Motor type	Split pole			phase
Installation	IRM (In)			install
Rotation direction	right			rotation
Isolation class	ISO F			ISO _{class}
Protection class	IP00			IP _{motor}
Is pole-changeable	No			pole _{exch}
Type of power supply	AC 1~			pwr _{sup} _{motor}
Rated voltage	230		V	$U_{rated, f1}$
Rated current	0.18		A	$I_{rated, f1}$
Shaft power	24		W	$P_{out, f1}$
Speed	2800		1/min	n_{f1}
Cos Phi	0.000000	0.000000		$\cos \varphi$

PRODUCT INFORMATION

Name	Value	Unit	Formula symbol
Category / Installation situation	A		cat
Fan type	Diagonal		Fan _{type}

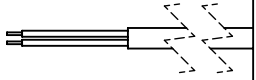
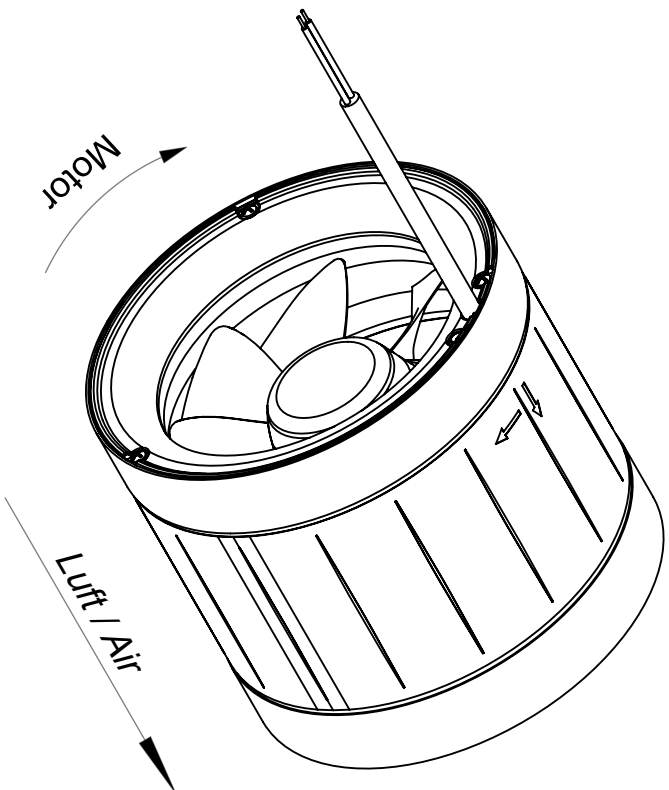
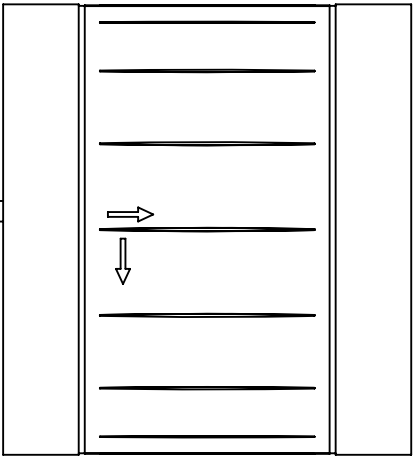
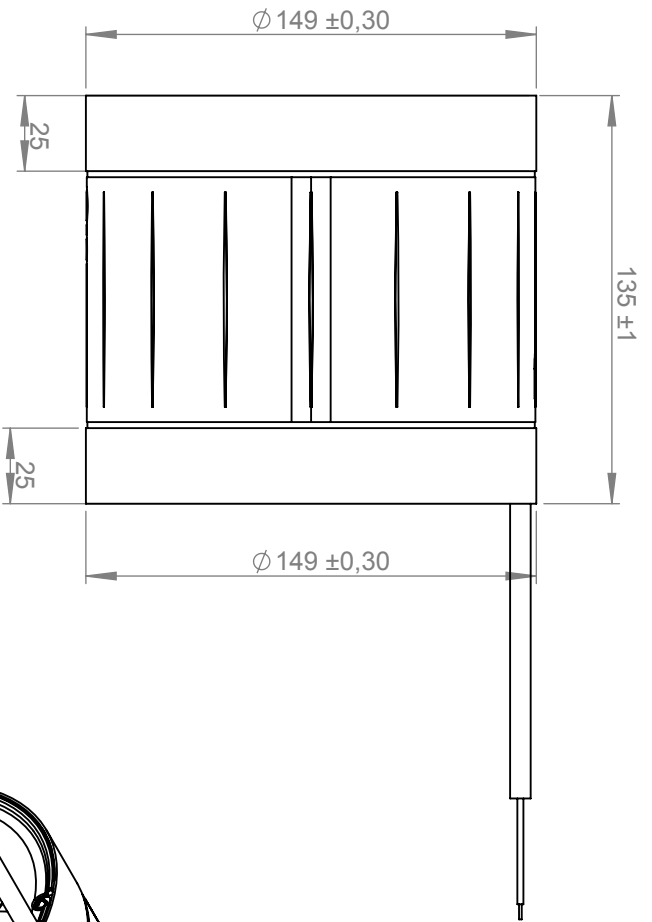
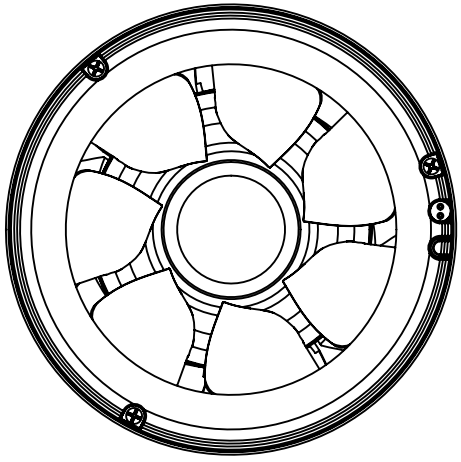
EM 150 E2 02

136417

ruck

ERP DATA

Name	Value	Unit	Formula symbol
Speed at the energy efficiency optimum	2525	1/min	n_{opt}
Efficiency level	9.9	%	N
Efficiency category	statisch		$cat_{efficiency}$
Input power of the motor at the energy efficiency optimum	0.03	kW	$P_{e, opt}$
Overall efficiency	36.7	%	η_{ges}
Measurement category	A		meas cat
Fan pressure at optimum energy efficiency point	59	Pa	$p_{f, opt}$
Flowrate at energy efficiency optimum	178	m ³ /h	$q_{v, opt}$



1:2.5 A4 mm

Protection Mark according to ISO16016
General tolerances DIN ISO 2768-c

EM150E202+

ruck Ventilatoren
Max-Planck-Str. 5
D-97944 Boxberg

Drawn: b.cormos
Created: b.cormos
Changed: h.ragowski

25.02.16
25.02.16
06.12.16
136417 00