

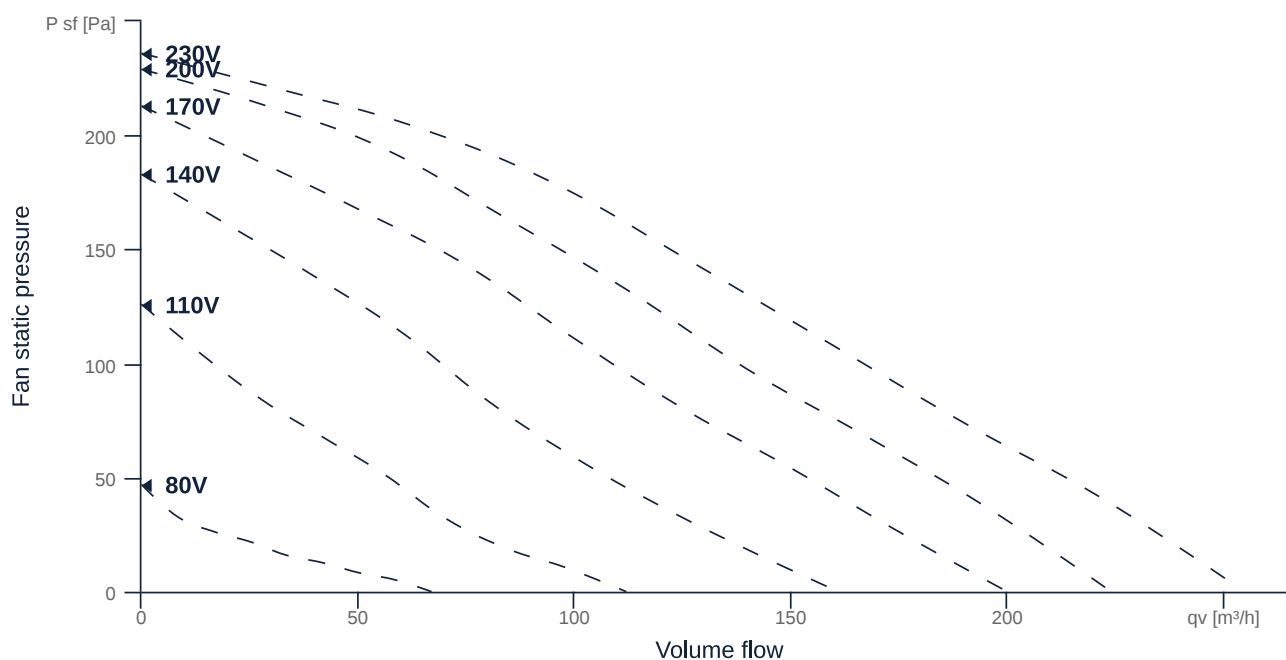
# RS 100L 20

143351

- Compact radial fan
- Backward curved impeller
- Sheet steel housing, RAL 7035, powder coated
- Robust single phase AC motor, steplessly controllable
- Conveyed medium temperature up to 60 °C in continuous operation
- Integrated thermal switch



## MAP



# RS 100L 20

143351

**ruck**

## GENERAL DATA

Name	Value	Unit	Formula symbol
Duct size	-		WxH <sub>duct</sub>
Pipe connection size (DN)	DN100		DN
Electrical protection (entire device)	20 A		fuse
Housing material	Steel		mat <sub>casing</sub>
Impeller material	Plastic		mat <sub>impeller</sub>
IP-protection class (entire device)	IPX4		IP <sub>compl</sub>
IP-Protection class terminal box	IP44		IP <sub>ebox</sub>
Weight	2.77	kg	m
Nominal air flow rate, nominal point m <sup>3</sup> /h	90	m <sup>3</sup> /s	q <sub>Vnom</sub>
Nominal external pressure, static	155	Pa	p <sub>ext</sub>
Fan type	Radial		Fan <sub>type</sub>
Category / Installation situation	A		cat
Sound insulation	No		snd <sub>ins</sub>
Rated voltage (entire device)	230.000000		U <sub>rated</sub>
Phases (entire device)	1~		phase

## MAXIMAL DATA

Name	Value		Unit	Formula symbol
	50 Hz	60 Hz		
Max. power consumption (device)	28	34	W	P <sub>ed, max</sub>
Max. operating current (device)	0.23	0.26	A	I <sub>ed, max</sub>
Max. speed	2710	3150	1/min	n <sub>max</sub>
Max. stat. efficiency	17.6	18.6	%	η <sub>es</sub>
Max. fan efficiency	19.2	19.8	%	η <sub>e</sub>
Max. flowrate	250	260	m <sup>3</sup> /h	q <sub>v, max</sub>
Max. stat pressure	235	320	Pa	p <sub>st, max</sub>
Max. medium temperature	60	60	°C	T <sub>m, max</sub>
Max. environment temperature	60	60	°C	T <sub>amb, max</sub>
Min. environment temperature	-25	-25	°C	T <sub>amb, min</sub>
Min. voltage	80	80	V	U <sub>min</sub>
Stall current	0.27	0.27	A	I <sub>LRA</sub>

# RS 100L 20

143351

**ruck**

## MOTOR DATA

Name	Value		Unit	Formula symbol
	50 Hz	60 Hz		
Rated frequency (device)	50.000000			f
Motor type	AC 1~			phase
Control type	stepless-controlled			ctrltype
Installation	ORM (Out)			install
Rotation direction	right			rotation
Isolation class	ISO F			ISOclass
Protection class	IP33			IPmotor
Is pole-changeable	No			polexch
Type of power supply	AC 1~			pwrsupmotor
Capacity condenser	1.5		µF	Ccond
Voltage condenser	400		V	VUcond
Number of poles (1)	2.000000			num polesw1
Rated voltage	230		V	Urated, f1
Rated current	0.17		A	Irated, f1
Shaft power	30		W	Pout, f1
Speed	2673		1/min	nr1
Min. temperature	-30		°C	Tmotor, min
Cos Phi	0.870000	0.000000		cos φ

## PRODUCT INFORMATION

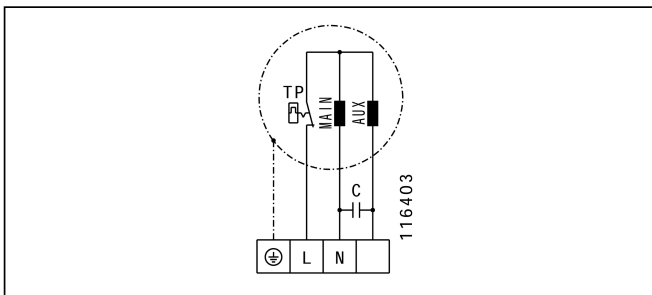
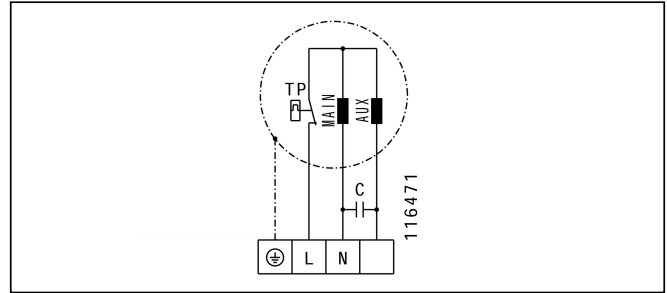
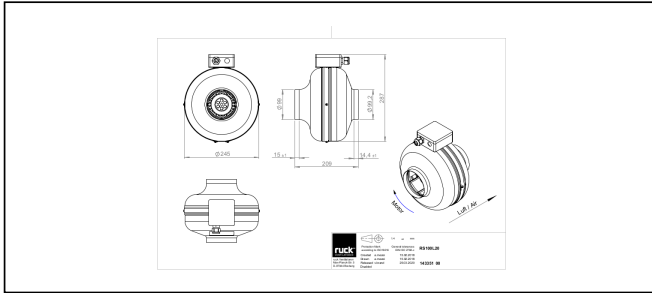
Name	Value	Unit	Formula symbol
Category / Installation situation	A		cat
Fan type	Radial		Fanype

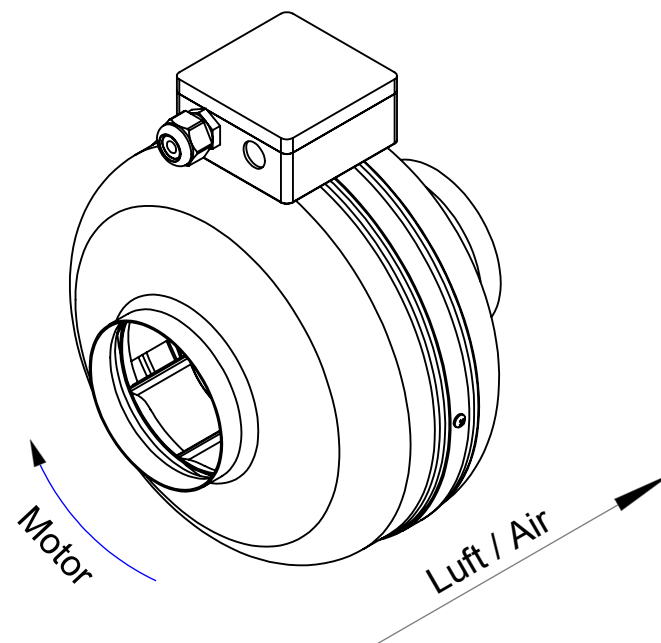
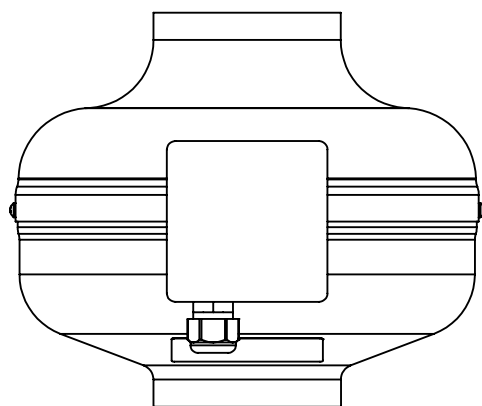
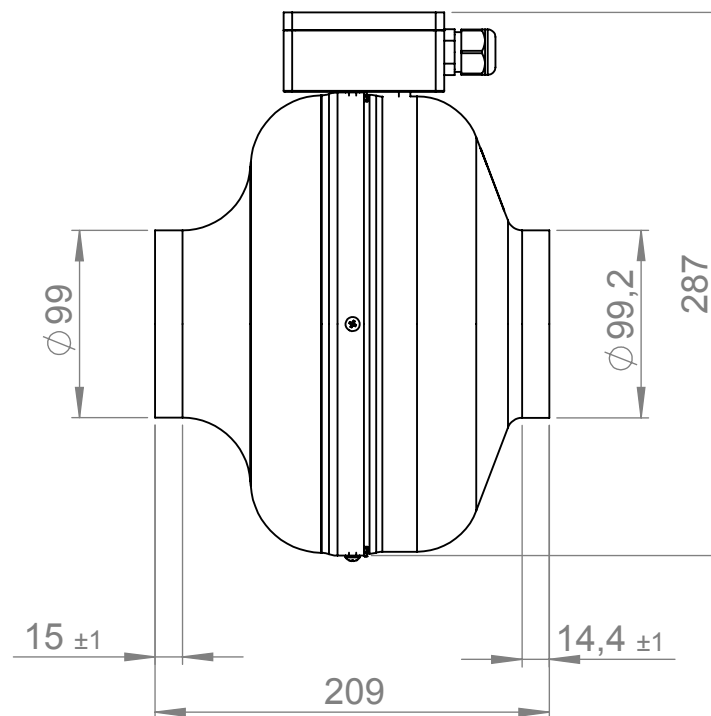
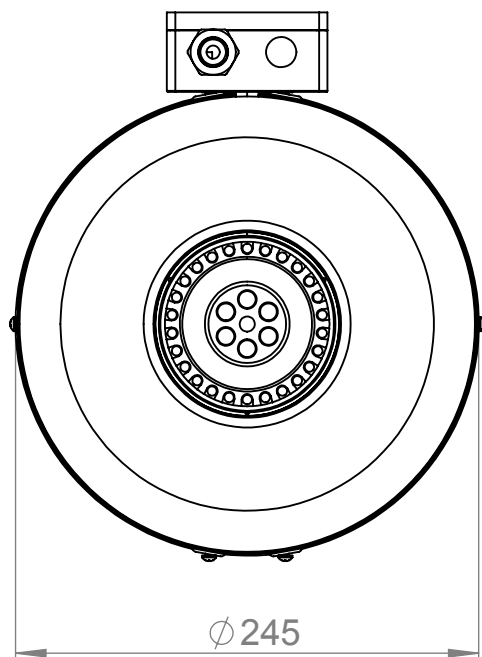
# RS 100L 20

143351



## SCHALTPLÄNE / MASSZEICHNUNGEN





ruck Ventilatoren  
Max-Planck-Str. 5  
D-97944 Boxberg



Protection Mark  
according to ISO16016

Created a.mezei  
Drawn a.mezei  
Released v.brand  
Disabled

1:4 A4 mm

General tolerances  
DIN ISO 2768-c

**RS100L20**

**143351 00**