



CK 100 C1 EC

- Duct fan with circular connections.
- Proven performance and reliability.
- Compact with high capacity and efficiency.
- Low sound levels.
- Impeller with backward curved blades.
- The external rotor motor has maintenance-free sealed ball-bearings and is very energy efficient.
- Speed controlling can be done with the built-in potentiometer, 0-10 V alt. external control.
- Integrated motor protection.
- Junction box has enclosure class IP 54.
- Fan housing is manufactured from galvanized sheet steel.
- The fan is intended to be installed in a duct system.
- A duct connected fan can be installed outside or in damp environments.
- Easy installation in any position

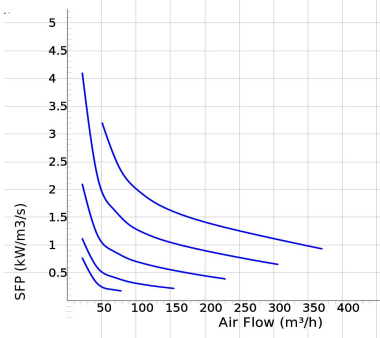
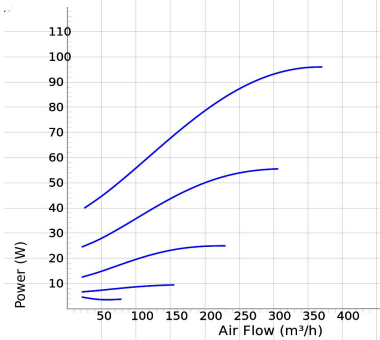
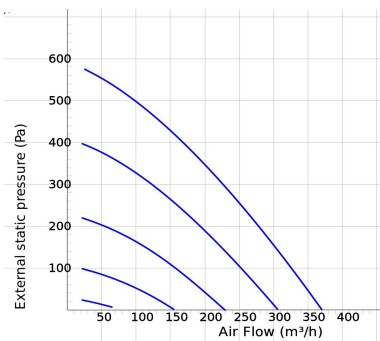
Accessories

- Speed controller MS EC
- Pressure regulator CALAIR-PR-230V
- Controller IQ-Reg EC
- Pressure regulator FKP-R
- MB
- MK 100
- BSV 100
- RSK 100
- YG 100
- VK 100
- FLK 100
- FLF 100
- LDC 100

7001233 CK 100 C1 EC-y2

TECHNICAL DATA

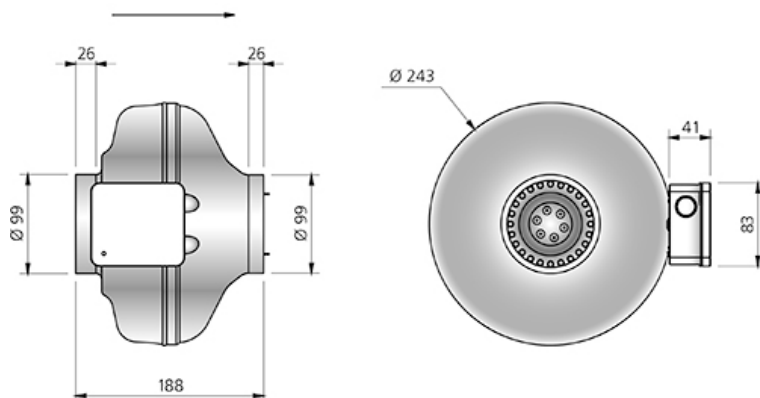
Voltage	230 V
Phase	1 ~
Frequency	50/60 Hz
Power	95 W
Current	0.8 A
Speed	3640 r.p.m.
Max. temperature of transported air	60 °C
Sound pressure level at 3 m	47 dB(A)
Weight	2.5 kg
Enclosure class	44 IP
Insulation class, motor	F
Capacitor	- µF
Duct connection	100 mm
Max. flow	370.80103824291 m³/h
Max. pressure	595 Pa
Voltage range	200-277 V



SOUND DATA

	Flow (m³/h)	L _{WA} tot dB (A)	63Hz	125Hz	250Hz	500Hz	1KHz	2KHz	4KHz	8KHz
5. Surrounding Lw dB(A) 10V	194	54	30	37	44	44	50	45	46	36
5. Outlet Lw dB(A) 10V	194	79	56	70	73	71	72	71	67	59
5. Inlet Lw dB(A) 10V	194	78	59	70	72	71	72	67	67	58
4. Inlet Lw dB(A) 8V	162	74	56	66	68	66	67	62	61	52
3. Inlet Lw dB(A) 6V	122	66	51	58	61	59	59	54	52	41
2. Inlet Lw dB(A) 4V	90	56	43	49	51	48	48	41	36	23
1. Inlet Lw dB(A) 2V	36	36	26	31	31	27	24	12	13	8

DIMENSIONS



Voltage steps

1	2	3	4	5
2V	4V	6V	8V	10V