



CK 125 C1 EC

- Duct fan with circular connections.
- Proven performance and reliability.
- Compact with high capacity and efficiency.
- Low sound levels.
- Impeller with backward curved blades.
- The external rotor motor has maintenance-free sealed ball-bearings and is very energy efficient.
- Speed controlling can be done with the built-in potentiometer, 0-10 V alt. external control.
- Integrated motor protection.
- Junction box has enclosure class IP 54.
- Fan housing is manufactured from galvanized sheet steel.
- The fan is intended to be installed in a duct system.
- A duct connected fan can be installed outside or in damp environments.
- Easy installation in any position

Accessories

- Controller IQ-Reg EC
- Speed controller MS EC
- Pressure regulator CALAIR-PR-230V
- Pressure regulator FKP-R
- MB
- MK 125
- BSV 125
- RSK 125
- YG 125
- VK 125
- FLK 125
- FLF 125
- LDC 125

7001239 CK 125 C1 EC-y2

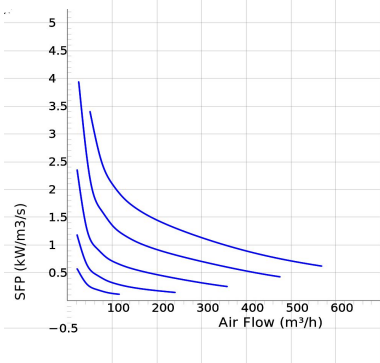
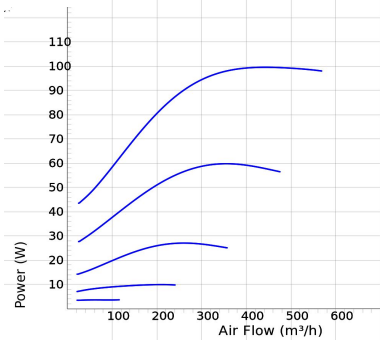
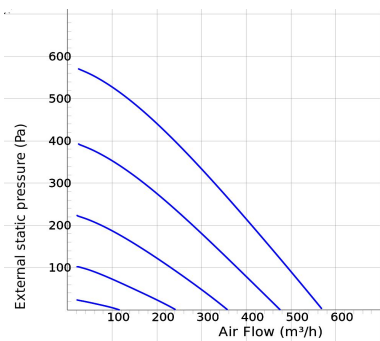
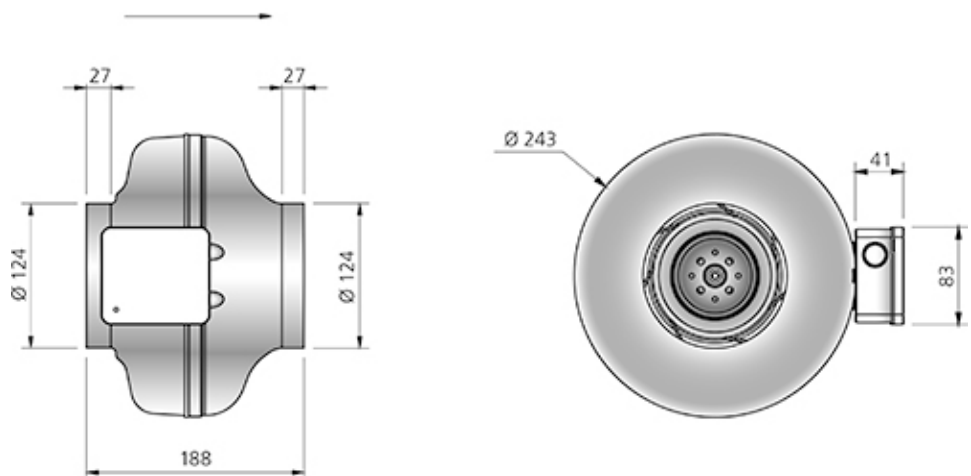
TECHNICAL DATA

Voltage	230 V
Phase	1 ~
Frequency	50/60 Hz
Power	99 W
Current	0.83 A
Speed	3600 r.p.m.
Max. temperature of transported air	60 °C
Sound pressure level at 3 m	46 dB(A)
Weight	2.5 kg
Enclosure class	44 IP
Insulation class, motor	F
Duct connection	125 mm
Max. flow	568.80159264446 m³/h
Max. pressure	582 Pa
Voltage range	200-277 V

SOUND DATA

	Flow (m³/h)	L _{WA} tot dB (A)	63Hz	125Hz	250Hz	500Hz	1KHz	2KHz	4KHz	8KHz
5. Surrounding Lw dB(A) 10V	277	53	36	36	41	44	49	45	46	36
5. Outlet Lw dB(A) 10V	277	79	58	68	70	71	72	73	68	61
5. Inlet Lw dB(A) 10V	277	79	56	67	72	74	72	70	69	59
4. Inlet Lw dB(A) 8V	216	74	52	65	68	68	67	65	63	52
3. Inlet Lw dB(A) 6V	155	67	46	59	62	62	59	56	54	41
2. Inlet Lw dB(A) 4V	108	57	38	51	51	51	48	43	38	22
1. Inlet Lw dB(A) 2V	61	38	24	33	33	30	24	15	14	7

DIMENSIONS



Voltage steps

1	2	3	4	5
2V	4V	6V	8V	10V