

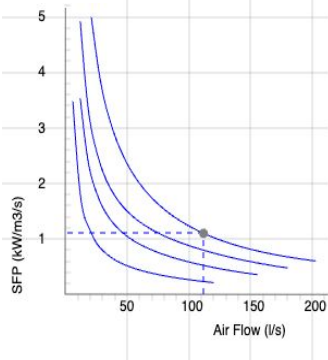
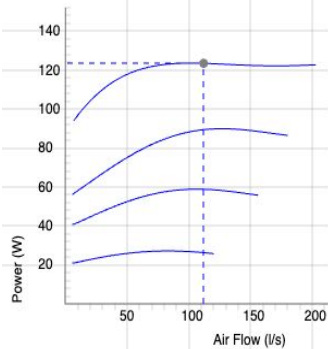
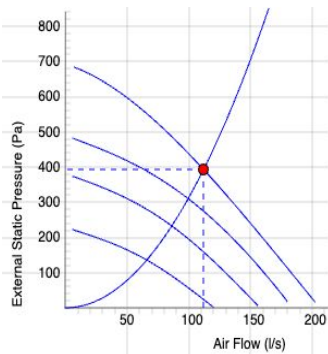


LPKB 160 C1 EC

- Low profile duct fan with circular connections.
- A small and useful duct fan which are perfect for spaces with minimum height clearance.
- With one connection on the inlet side.
- High capacity and efficiency with low sound levels.
- Impeller with backward curved blades.
- The external rotor motor has maintenance-free sealed ball-bearings and is very energy efficient.
- Speed controlling can be done with the built-in potentiometer, 0-10 V alt. external control.
- Integrated motor protection.
- Junction box has enclosure class IP 54.
- Fan housing is manufactured from galvanized sheet steel.
- Duct connections are equipped with rubber seals.
- The fan is intended to be installed in a duct system.
- A duct connected fan can be installed outside or in damp environments.
- The mounting brackets simplify installation in any position.

Accessories

- Speed controller MS EC
- Controller IQ-Reg EC
- Pressure regulator CALAIR-PR-230V
- Pressure regulator FKP-R
- MK 160
- BSV 160
- RSK 160
- VK 160
- LDC 160



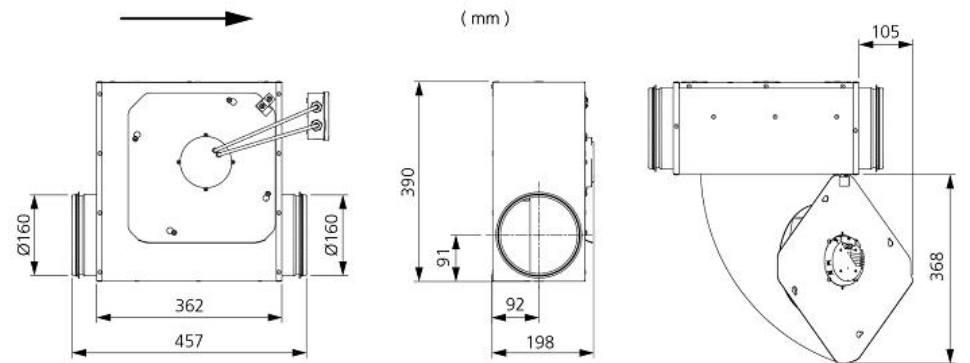
TECHNICAL DATA

7540728 LPKB 160 C1 EC-y1	
Voltage	230 V
Phase	1 ~
Frequency	50/60 Hz
Power	123 W
Current	0.98 A
Speed	3110 r.p.m.
Max. temperature of transported air	60 °C
Sound pressure level at 3 m	55 dB(A)
Weight	6.4 kg
Enclosure class	44 IP
Insulation class, motor	F
Duct connection	160 mm
Max. flow @ 0Pa	206 l/s
Max. pressure	686 Pa
Voltage range	200-277 V

SOUND DATA

	Flow (l/s)	L _{wa} tot dB (A)	63Hz	125Hz	250Hz	500Hz	1KHz	2KHz	4KHz	8KHz
4. Surrounding Lw dB(A) 10V	123	62	35	44	58	58	52	49	44	32
4. Outlet Lw dB(A) 10V	123	79	61	66	71	75	70	69	67	56
4. Inlet Lw dB(A) 10V	123	76	59	65	70	72	67	62	61	52
3. Inlet Lw dB(A) 7.5V	107	73	54	63	67	69	64	58	57	47
2. Inlet Lw dB(A) 6.5V	92	70	51	60	64	66	61	54	52	43
1. Inlet Lw dB(A) 5V	68	63	47	55	58	59	53	45	42	32

DIMENSIONS



Voltage steps

1	2	3	4
5V	6.5V	7.5V	10V