

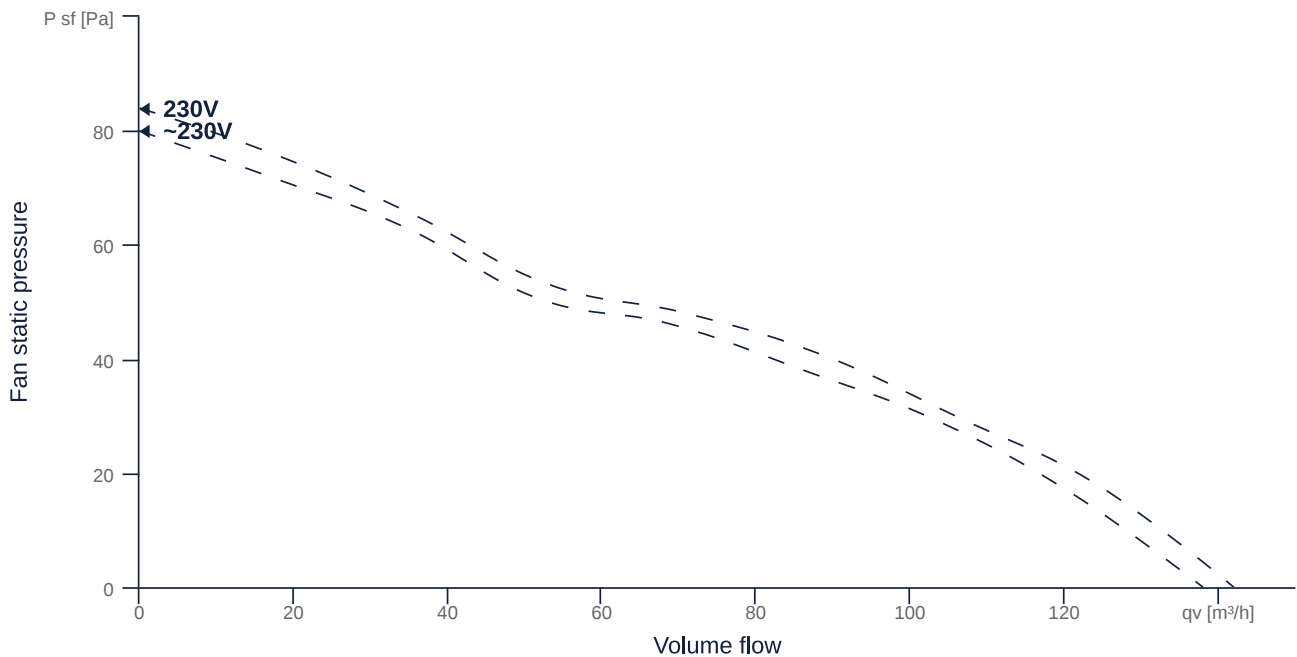
EM 125 E2 02

136068

- Innovative, high-efficiency diagonal fan
- Optimally tuned, CFD-optimized aerodynamics
- Housing made of impact-resistant, reinforced polypropylene
- Robust single phase AC motor, steplessly controllable
- Conveyed medium temperature up to 60 °C in continuous operation
- The benchmark for efficiency since 2012



MAP



GENERAL DATA

Name	Value	Unit	Formula symbol
Duct size	-		WxHduct
Pipe connection size (DN)	DN125		DN
Electrical protection (entire device)	20 A		fuse
Housing material	Plastic		matcasing
Impeller material	Plastic		matimpeller
IP-protection class (entire device)	IPX2		IPcompl
Weight	0.83	kg	m
Fan type	Diagonal		Fantype
Category / Installation situation	A		cat
Sound insulation	No		sndins
Rated voltage (entire device)	230.000000		Urated
Phases (entire device)	1~		phase

MAXIMAL DATA

Name	Value	Unit	Formula symbol
Max. power consumption (device)	14	W	$P_{ed, max}$
Max. operating current (device)	0.22	A	$I_{ed, max}$
Max. speed	2590	1/min	n_{max}
Max. stat. efficiency	7.2	%	η_{es}
Max. fan efficiency	7.8	%	η_e
Max. flowrate	142	m ³ /h	$q_{v, max}$
Max. stat pressure	84	Pa	$p_{sf, max}$
Max. medium temperature	60	°C	$T_{m, max}$
Max. environment temperature	60	°C	$T_{amb, max}$
Min. environment temperature	-25	°C	$T_{amb, min}$
Min. voltage	207	V	U_{min}

MOTOR DATA

Name	Value		Unit	Formula symbol
	50 Hz	60 Hz		
Rated frequency (device)	50.000000			f
Motor type	Split pole			phase
Installation	IRM (In)			install
Rotation direction	right			rotation
Isolation class	ISO F			ISOclass
Protection class	IP00			IP _{motor}
Is pole-changeable	No			p _o lexch
Type of power supply	AC 1~			p _w rsup _{motor}
Rated voltage	230		V	$U_{rated, f1}$
Rated current	0.09		A	$I_{rated, f1}$
Shaft power	13		W	$P_{out, f1}$
Speed	2800		1/min	n_{f1}
Cos Phi	0.000000	0.000000		cos φ

PRODUCT INFORMATION

Name	Value	Unit	Formula symbol
Category / Installation situation	A		cat
Fan type	Diagonal		Fan _{type}

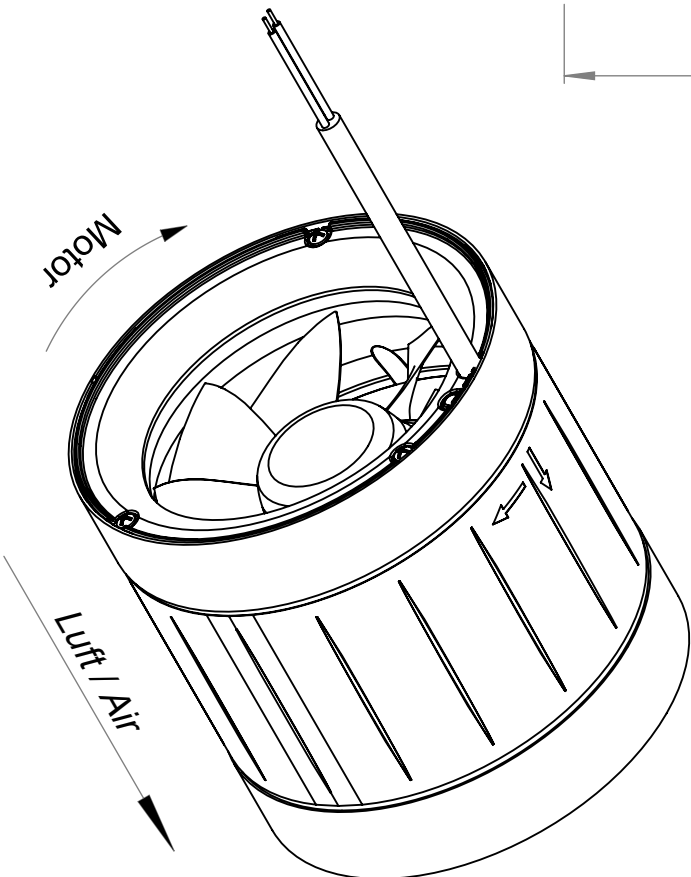
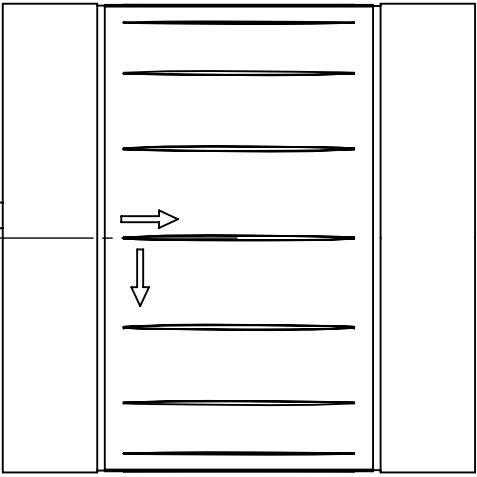
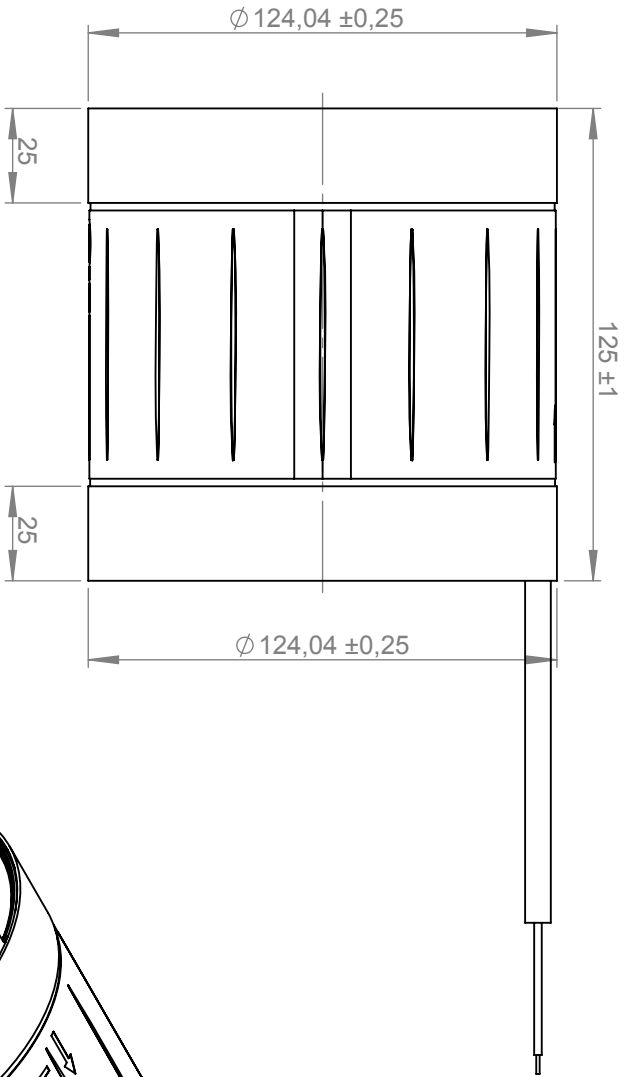
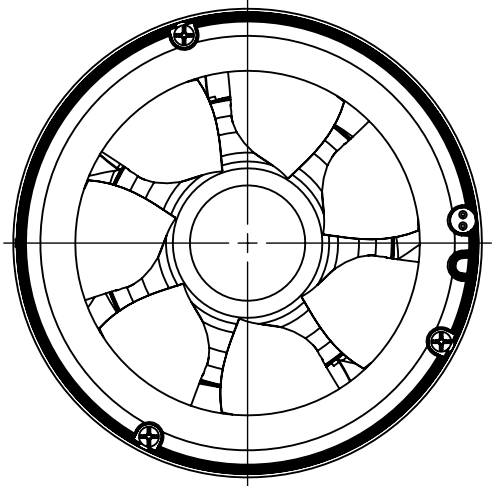
EM 125 E2 02

136068

ruck

ERP DATA

Name	Value	Unit	Formula symbol
Speed at the energy efficiency optimum	2498	1/min	n_{opt}
Efficiency level	7.4	%	N
Efficiency category	statisch		$cat_{efficiency}$
Input power of the motor at the energy efficiency optimum	0.01	kW	$P_{e, opt}$
Overall efficiency	37.7	%	η_{ges}
Measurement category	A		meas cat
Fan pressure at optimum energy efficiency point	43	Pa	$p_{f, opt}$
Flowrate at energy efficiency optimum	87	m ³ /h	$q_{v, opt}$



1:2 A4 mm

Protection Mark according to ISO16016 General tolerances DIN ISO 2768-c

EM125E202

ruck Ventilatoren
Max-Planck-Str. 5
D-97944 Boxberg

Drawn: b.cormos
Created: b.cormos
Changed: h.ragowski

12.02.16
20.01.16
19.09.16

136068 00