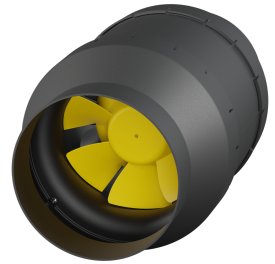


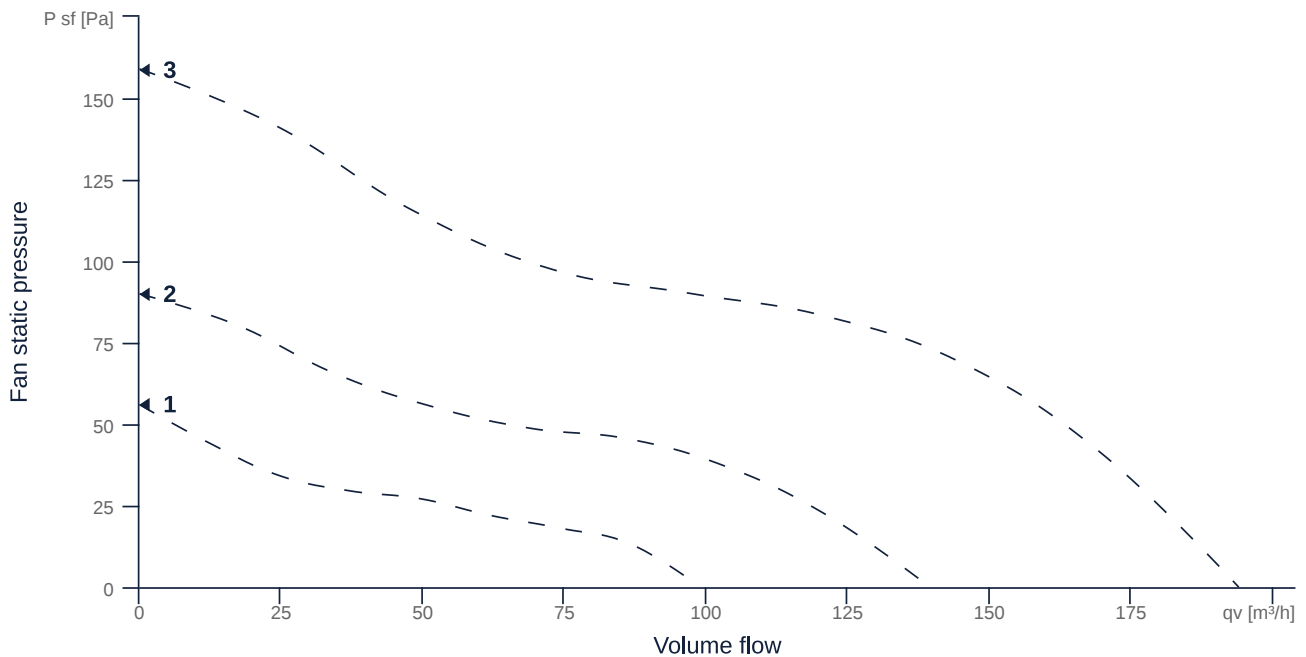
EM 100L EC 01

145677

- Innovative, high-efficiency diagonal fan
- Optimally tuned, CFD-optimized aerodynamics
- Housing made of impact-resistant, reinforced polypropylene
- High efficiency IE5 EC motor, 3-steps controllable
- Conveyed medium temperature up to 40 °C in continuous operation
- The benchmark for efficiency since 2012



MAP



GENERAL DATA

Name	Value	Unit	Formula symbol
Duct size	-		WxHduct
Pipe connection size (DN)	DN100		DN
Electrical protection (entire device)	20 A		fuse
Housing material	Plastic		matcasing
Impeller material	Plastic		matimpeller
IP-protection class (entire device)	IPX2		IPcompl
Weight	0.84	kg	m
Fan type	Diagonal		Fantype
Category / Installation situation	A		cat
Sound insulation	No		sndins
Rated voltage (entire device)	230.000000		Urated
Phases (entire device)	1~		phase

EM 100L EC 01

145677

MAXIMAL DATA

Name	Value		Unit	Formula symbol
	50 Hz	60 Hz		
Max. power consumption (device)	12	12	W	$P_{ed, max}$
Max. operating current (device)	0.2	0.2	A	$I_{ed, max}$
Max. speed	3630	3630	1/min	n_{max}
Max. stat. efficiency	25.9	25.9	%	η_{es}
Max. fan efficiency	28.4	28.4	%	η_e
Max. flowrate	190	190	m ³ /h	$Q_{v, max}$
Max. stat pressure	155	155	Pa	$p_{st, max}$
Max. medium temperature	40	40	°C	$T_{m, max}$
Max. environment temperature	40	40	°C	$T_{amb, max}$

MOTOR DATA

Name	Value		Unit	Formula symbol
	50 Hz	60 Hz		
Rated frequency (device)	50.000000			f
Motor type	EC			phase
Installation	IRM (In)			install
Rotation direction	right			rotation
Isolation class	ISO F			ISO _{class}
Motor-protection	TEC			protect _{motor}
Protection class	IP00			IP _{motor}
Is pole-changeable	No			pole _{exch}
Type of power supply	AC 1~			pw _{sup} _{motor}
Rated voltage	230		V	$U_{rated, f1}$
Shaft power	10		W	$P_{out, f1}$
Speed	3800		1/min	n_{f1}
Cos Phi	0.000000	0.000000		cos ϕ

PRODUCT INFORMATION

Name	Value	Unit	Formula symbol
Category / Installation situation	A		cat
Fan type	Diagonal		Fan _{type}

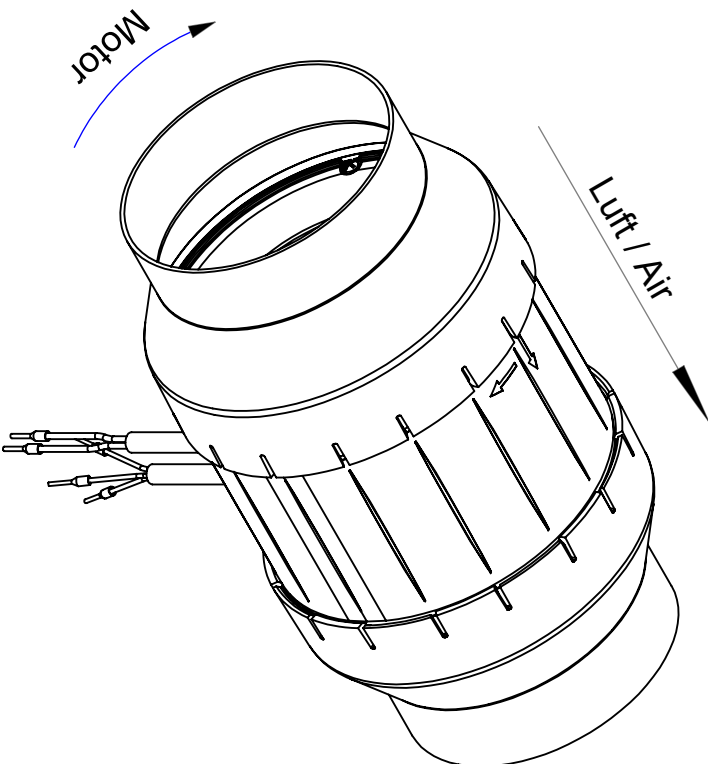
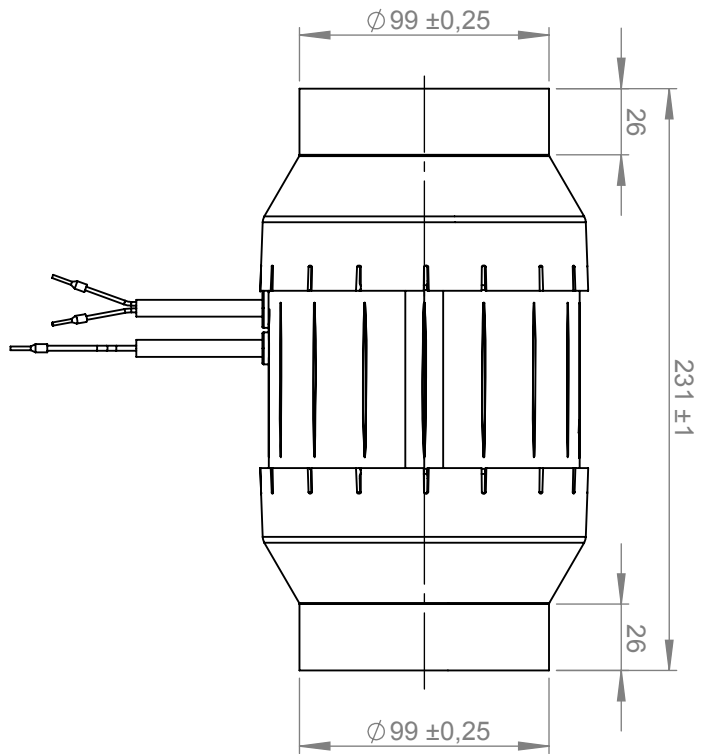
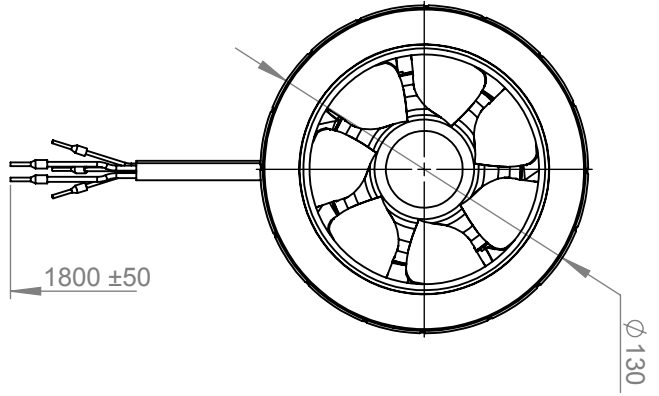
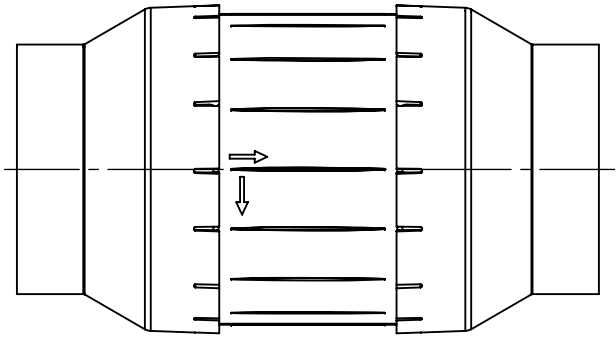
EM 100L EC 01

145677

ruck

ERP DATA

Name	Value	Unit	Formula symbol
Speed at the energy efficiency optimum	3627	1/min	n_{opt}
Efficiency level	31.8	%	N
Efficiency category	statisch		$cat_{efficiency}$
Input power of the motor at the energy efficiency optimum	0.01	kW	$P_{e, opt}$
Overall efficiency	63.8	%	η_{ges}
Measurement category	A		meas cat
Fan pressure at optimum energy efficiency point	89	Pa	$p_{f, opt}$
Flowrate at energy efficiency optimum	101	m ³ /h	$q_{v, opt}$



1:3 A4 mm

ruck
VENTILATOREN
ruck Ventilatoren
Max-Planck-Str. 5
D-97944 Boxberg

Protection Mark
according to ISO16016

General tolerances
DIN ISO 2768-c

Created d andree

03.04.2018

Drawn d andree

03.04.2018

Released d andree

19.09.2018

Disabled

EM100LECO1

145677 00