

FANS FOR ROUND DUCTS

Series  
**VENTS VKM 100-315**



Series  
**VENTS VKM 355-450**



Inline centrifugal fans in steel casing with air flow up to **5260 m<sup>3</sup>/h**

■ **Applications**

Supply and exhaust ventilation systems for commercial, office and other public or industrial premises. The steel casing provides reliable operation in case of outdoor installation. For premises with high requirements to the noise level we suggest units in low-noise modification (VKM...Q).

■ **Design**

The fan casing is made of steel with polymer coating.

■ **Motor**

The impeller with backward curved blades is powered by the single phase motor with external rotor and overheating protection with automatic restart. Some standard sizes are available with high-powered motors (VKMS). **The VKM...E models are equipped with an energy-efficient motor with low energy demand.** The motor is equipped with ball bearings for long service life designed for at least

40000 hours. For precise features, safe operation and low noise, each turbine is dynamically balanced while assembly. Motor protection rating is IP44.

■ **Speed control**

Smooth or step speed control with a thyristor or an autotransformer speed controller. Several fans may be connected to one speed controller provided that the total power and operating current do not exceed the rated speed controller parameters. The VKM...P models are equipped with a built-in speed controller (available for diameters 100...315).

■ **Mounting**

Mounting to wall or ceiling at any angle is performed with fastening brackets supplied with the unit. The fan is powered through the external terminal box. Electric connection and installation shall be performed in compliance with the manual and wiring diagram on the terminal box.

■ **VKM fan with electronic temperature and control module**

The ideal solution for ventilation of the premises requiring permanent temperature control, i.e. greenhouses. The fan with the electronic temperature and speed control module provides automatic control of the motor speed (air flow) depending on air temperature in the air duct or in the room.

The front panel of the electronic module has the following control knobs:

- speed control knob for setting the motor speed
- thermostat control knob for setting the temperature set point
- thermostat indicator light

VKM...Un - the model with an external temperature sensor fixed on a 4 m cable (Un/U2n option). The temperature sensor has mechanical protection.

**Designation key**

Series		Air duct diameter	Options
<b>VENTS VKM</b>	<b>S:</b> high-powered motor	100; 125; 150; 160; 200; 250; 315; 355; 400; 450	<p><b>E:</b> low energy demand motor.  <b>Q:</b> low-powered motor.  <b>Un:</b> speed controller with an electronic thermostat and a temperature sensor fixed on a 4-meter cable. Temperature-based operation logic.  <b>U2n:</b> speed controller with an electronic thermostat and a temperature sensor fixed on a 4-meter cable. Temperature-based switching on/off.  <b>R1:</b> power cord with a mains plug.  <b>P:</b> integrated smooth speed controller.</p>

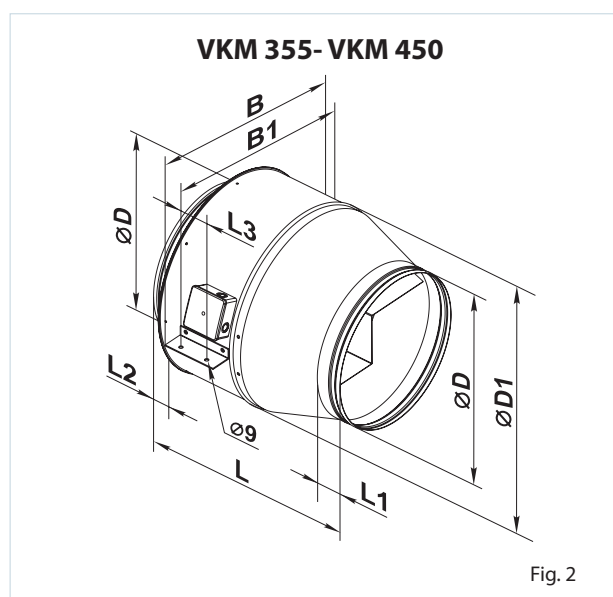
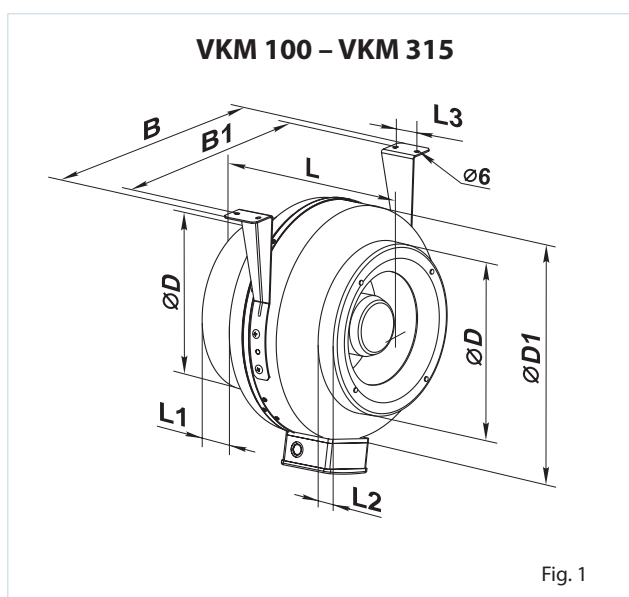
**Accessories**



**Fan overall dimensions**

Type	Dimensions [mm]								Weight [kg]	Fig. no.
	ØD	ØD1	B	B1	L	L1	L2	L3		
VKM 100 Q	98	255	310	270	205	20	25	30	2,9	1
VKM 100	98	255	310	270	205	20	25	30	3,2	1
VKM 125 Q	123	255	310	270	205	20	25	30	2,9	1
VKM 125	123	255	310	270	205	20	25	30	3,2	1
VKM 150	149	345	395	355	200	20	20	40	5,1	1
VKMS 150	149	345	395	355	230	20	20	40	5,6	1
VKM 160	159	305	360	320	220	25	25	30	5,0	1
VKMS 160	158	340	390	350	245	25	20	40	6,4	1
VKM 200	198	345	395	355	255	25	30	40	6,6	1
VKMS 200	198	345	395	355	255	25	30	40	8,3	1
VKM 250 E	248	345	395	355	250	25	30	40	6,2	1
VKM 250	248	345	395	355	250	25	30	40	8,4	1
VKM 315	314	405	455	415	260	30	30	40	8,0	1
VKMS 315	314	405	455	415	290	30	30	40	8,8	1
VKM 355 Q	353	460	522	522	506	60	60	70	18,8	2
VKM 400	398	570	663	634	570	60	60	70	25,1	2
VKM 450	448	608	700	670	644	60	60	80	27,26	2

FAN SERIES VENTS VKM



## FANS FOR ROUND DUCTS

### Technical data

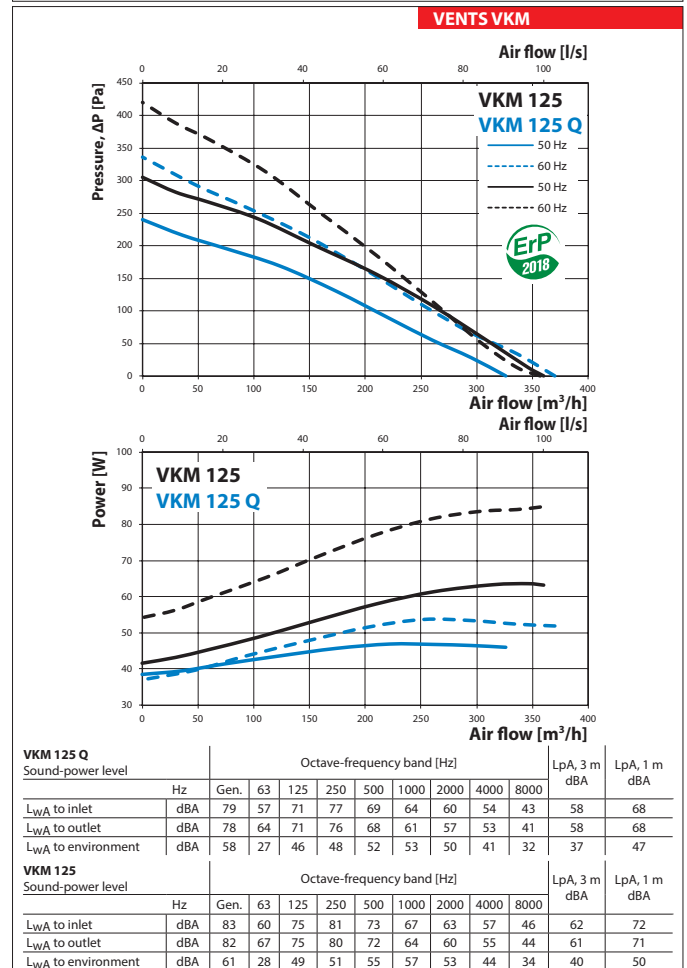
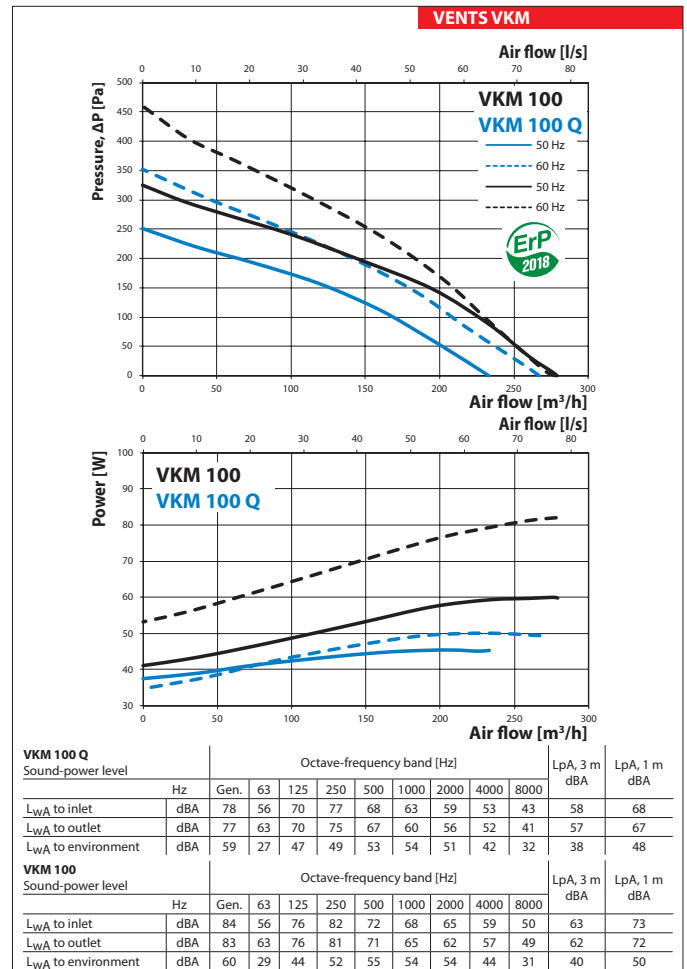
	VKM 100 Q		VKM 100	
Nominal voltage [VAC]	1~220-240			
Frequency [Hz]	50	60	50	60
Power [W]	45	50	60	82
Current [A]	0.24	0.23	0.28	0.36
Max. air flow [m³/h]	233	267	279	278
RPM [min⁻¹]	2780	3300	2840	3320
Noise level at 3 m [dBA]	38	39	40	41
Transported air temperature [°C]	-25...+45			
SEC class	C	-	C	-
Protection rating	IPX4			

To meet the requirements of ErP 2018, a speed controller and local demand control typology must be applied (connect a sensor).

### Technical data

	VKM 125 Q		VKM 125	
Nominal voltage [VAC]	1~220-240			
Frequency [Hz]	50	60	50	60
Power [W]	47	54	64	85
Current [A]	0.25	0.24	0.29	0.37
Max. air flow [m³/h]	326	370	360	357
RPM [min⁻¹]	2760	3240	2840	3300
Noise level at 3 m [dBA]	37	38	40	42
Transported air temperature [°C]	-25...+45			
SEC class	C	-	C	-
Protection rating	IPX4			

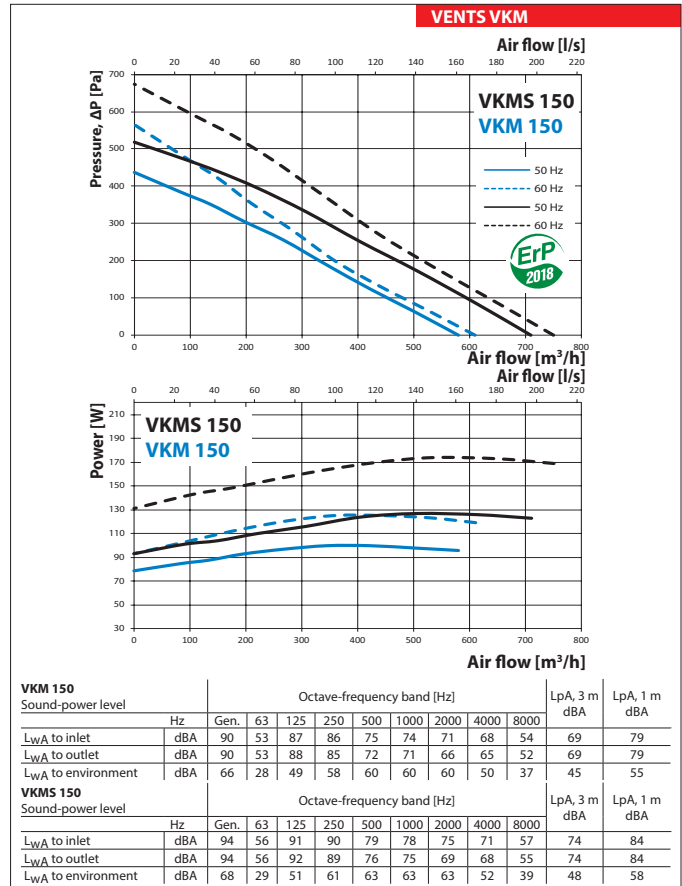
To meet the requirements of ErP 2018, a speed controller and local demand control typology must be applied (connect a sensor).



**Technical data**

	VKM 150		VKMS 150	
Nominal voltage [VAC]	1~220-240			
Frequency [Hz]	50	60	50	60
Power [W]	100	125	127	174
Current [A]	0.45	0.55	0.55	0.76
Max. air flow [m³/h]	580	610	710	750
RPM [min <sup>-1</sup> ]	2700	3100	2760	3150
Noise level at 3 m [dBA]	45	46	48	49
Transported air temperature [°C]	-25...+45			
SEC class	C	-	C	-
Protection rating	IPX4			

To meet the requirements of ErP 2018, a speed controller and local demand control typology must be applied (connect a sensor).

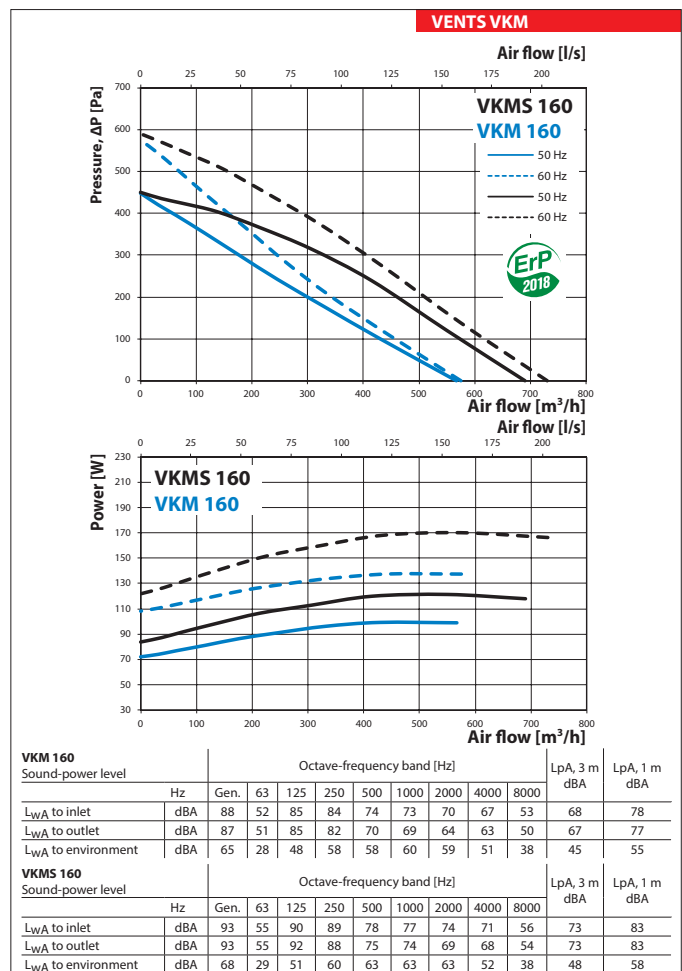


FAN SERIES VENTS VKM

**Technical data**

	VKM 160		VKMS 160	
Nominal voltage [VAC]	1~220-240			
Frequency [Hz]	50	60	50	60
Power [W]	99	137	121	170
Current [A]	0.44	0.61	0.53	0.75
Max. air flow [m³/h]	567	575	690	730
RPM [min <sup>-1</sup> ]	2770	3160	2800	3210
Noise level at 3 m [dBA]	45	47	48	49
Transported air temperature [°C]	-25...+45			
SEC class	C	-	C	-
Protection rating	IPX4			

To meet the requirements of ErP 2018, a speed controller and local demand control typology must be applied (connect a sensor).



## FANS FOR ROUND DUCTS

### Technical data

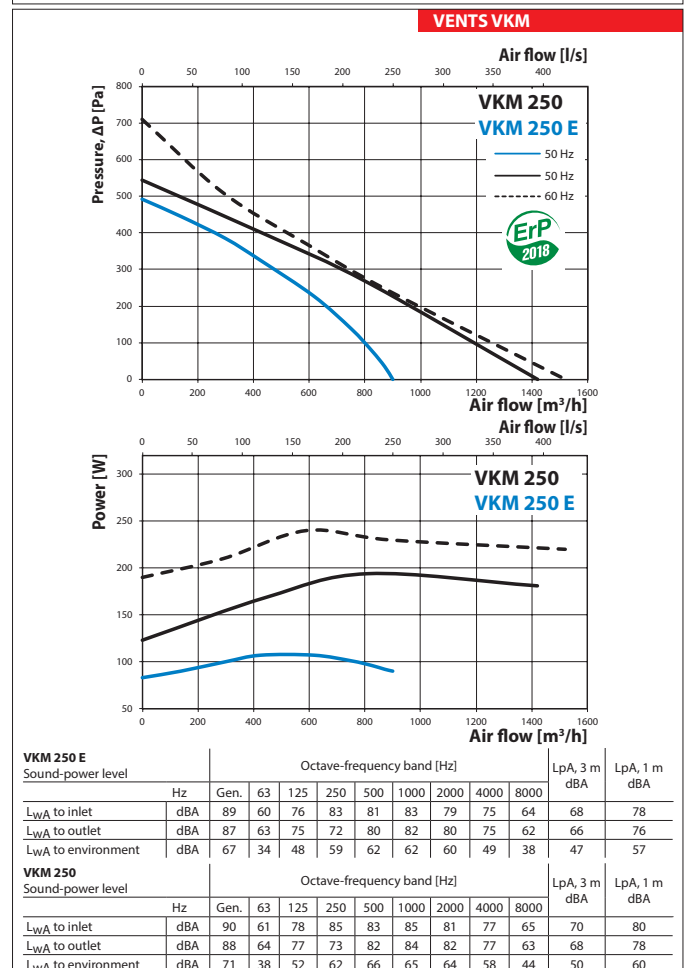
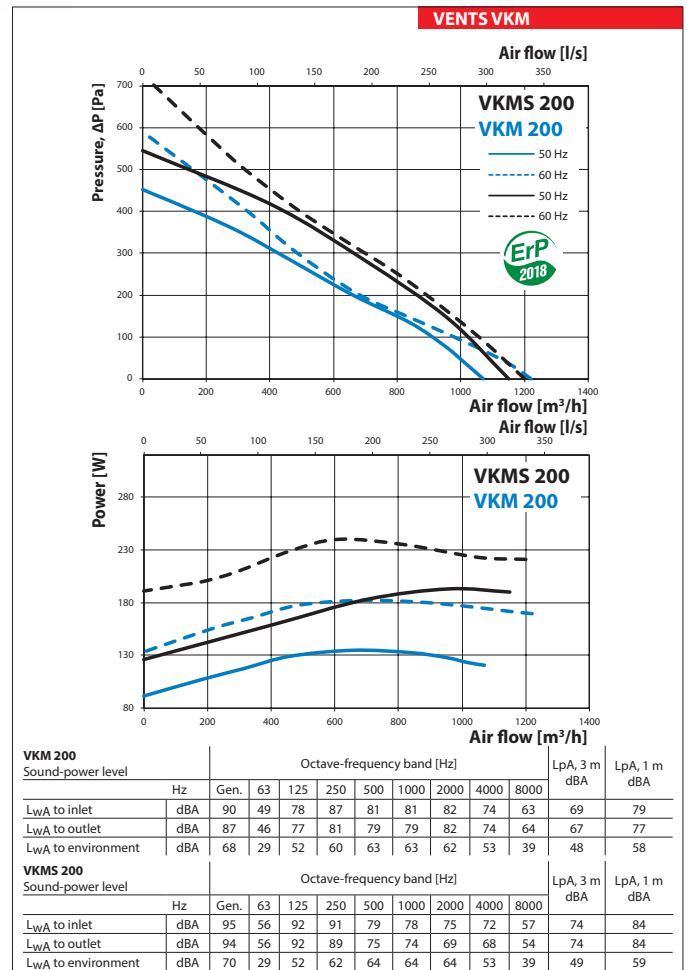
	VKM 200		VKMS 200	
Nominal voltage [VAC]	1~220-240			
Frequency [Hz]	50	60	50	60
Power [W]	135	182	193	240
Current [A]	0.59	0.79	0.84	1.05
Max. air flow [m³/h]	1070	1220	1150	1200
RPM [min⁻¹]	2710	3120	2780	2850
Noise level at 3 m [dB(A)]	48	50	49	49
Transported air temperature [°C]	-25...+45			
SEC class	C	-	-	-
Protection rating	IPX4			

To meet the requirements of ErP 2018, a speed controller and local demand control typology must be applied (connect a sensor).

### Technical data

	VKM 250 E		VKM 250	
Nominal voltage [VAC]	1~220-240			
Frequency [Hz]	50	50	60	
Power [W]	95	194	240	
Current [A]	0.47	0.85	1.05	
Max. air flow [m³/h]	900	1420	1520	
RPM [min⁻¹]	2050	2790	2860	
Noise level at 3 m [dB(A)]	47	50	51	
Transported air temperature [°C]	-25...+45			
SEC class	C	-	-	
Protection rating	IPX4			

To meet the requirements of ErP 2018, a speed controller and local demand control typology must be applied (connect a sensor).



**Technical data**

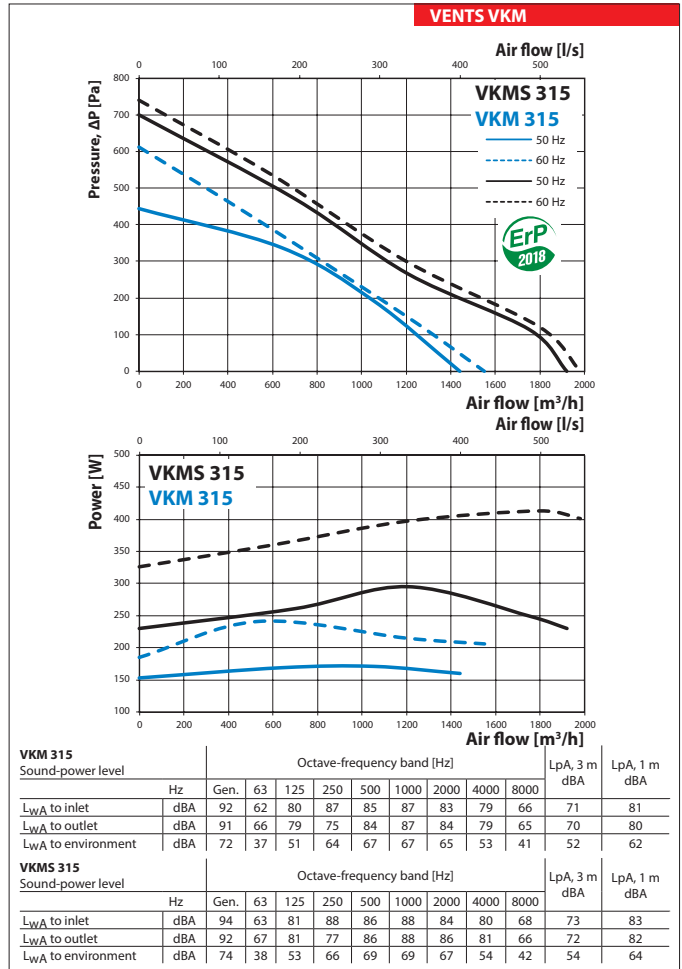
	VKM 315		VKMS 315	
Nominal voltage [VAC]	1~220-240			
Frequency [Hz]	50	60	50	60
Power [W]	171	241	295	413
Current [A]	0.77	1.05	1.34	1.8
Max. air flow [m³/h]	1440	1550	1920	1980
RPM [min⁻¹]	2600	2850	2720	2780
Noise level at 3 m [dBA]	52	53	54	55
Transported air temperature [°C]	-25...+45			
SEC class	-	-	-	-
Protection rating	IPX4			

To meet the requirements of ErP 2018, a speed controller and local demand control typology must be applied (connect a sensor).

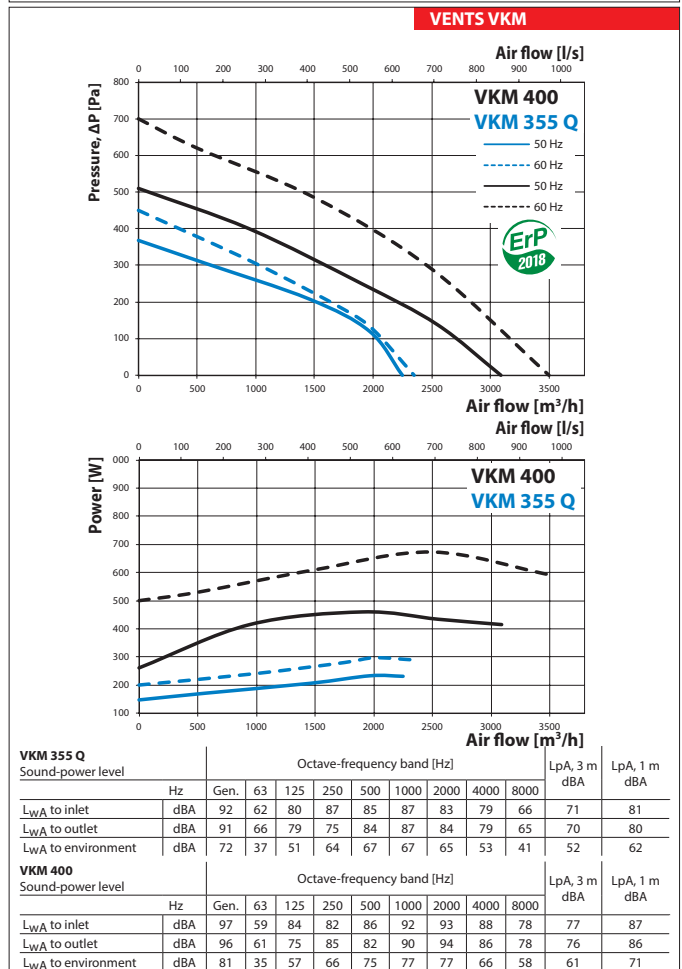
**Technical data**

	VKM 355 Q		VKM 400	
Nominal voltage [VAC]	1~220-240			
Frequency [Hz]	50	60	50	60
Power [W]	233	297	460	673
Current [A]	1.06	1.30	2.23	3.05
Max. air flow [m³/h]	2250	2350	3090	3500
RPM [min⁻¹]	1375	1620	1370	1585
Noise level at 3 m [dBA]	58	59	61	64
Transported air temperature [°C]	-25...+45	-40...+80	-40...+55	
SEC class	-	-	-	-
Protection rating	IPX4			

To meet the requirements of ErP 2018, a speed controller and local demand control typology must be applied (connect a sensor).



FAN SERIES VENTS VKM





Technical data

	VKM 450	
Nominal voltage [VAC]	1~220-240	
Frequency [Hz]	50	60
Power [W]	665	1250
Current [A]	2.89	5.40
Max. air flow [m <sup>3</sup> /h]	5300	6280
RPM [min <sup>-1</sup> ]	1265	1560
Noise level at 3 m [dBA]	65	73
Transported air temperature [°C]	-40...+70	-25...+60
SEC class	-	-
Protection rating	IPX4	

To meet the requirements of ErP 2018, a speed controller and local demand control typology must be applied (connect a sensor).

