

## UNIVERSAL PASS-THROUGH



Color  
Product number  
LVI Code  
EAN Code  
Weight

Black | RR33 | RAL9005  
792102  
7814272  
6410457921027  
Gross: 1.854kg, Net: 1.386kg

Description: All tile roofing types (ceramic, clay, concrete and special tiles, 1- and 2-wave tiles and plain tiles).

Contents: Pass-through, underlay ring, upper edge seal set, bottom bracket, screws, installation instructions.



## UNIVERSAL PASS-THROUGH

### DESCRIPTION

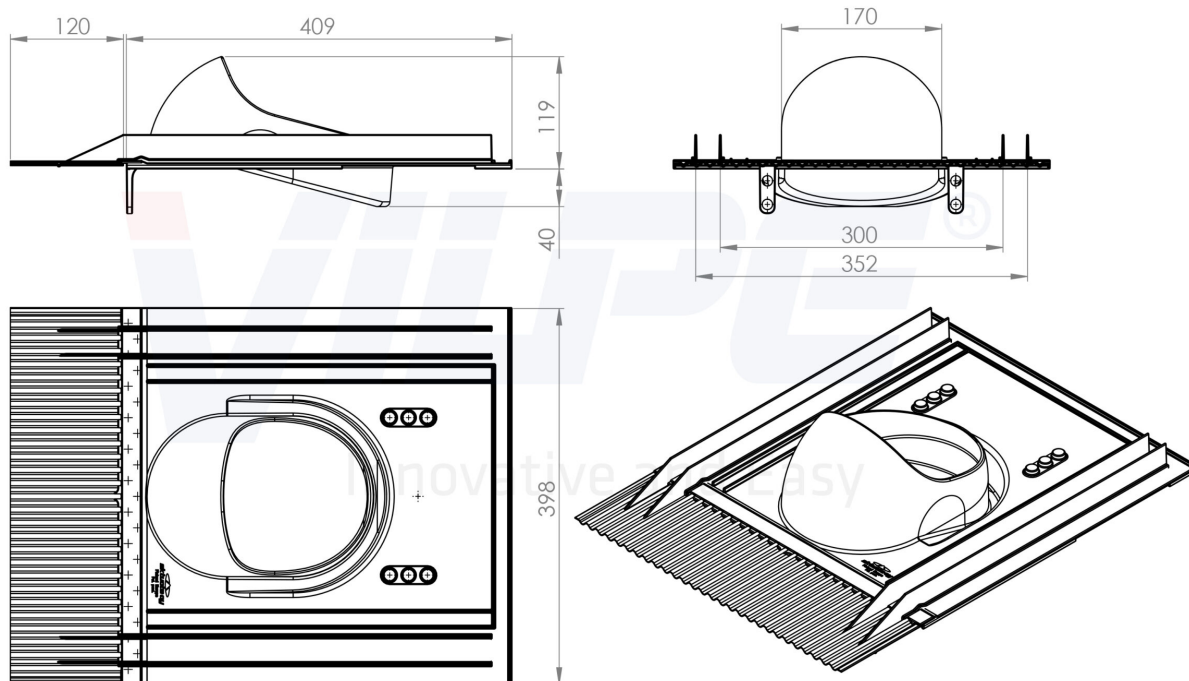
The Universal tile pass-through set is designed to fit all tile roofs: clay, ceramic and concrete tiles, both one- and two-waved and also plain tiles. It is suitable for VILPE® P-model ventilation pipes and roof fans with a diameter of 75-160 mm as well as for aerial sleeves. The length of the pass-through is 532 mm and width 400 mm. The pass-through is made of two different plastic raw materials: hard PP and soft, rubber-like thermoplastic plastic.

Seal for the upper side, a bracket to the bottom, 2\*80 and 2\*38 mm screws and the underlay seal are included.

---

[www.maxi-trade.nl](http://www.maxi-trade.nl)

## UNIVERSAL PASS-THROUGH



Copyright © 2014 SK Tuote Oy. All rights reserved.

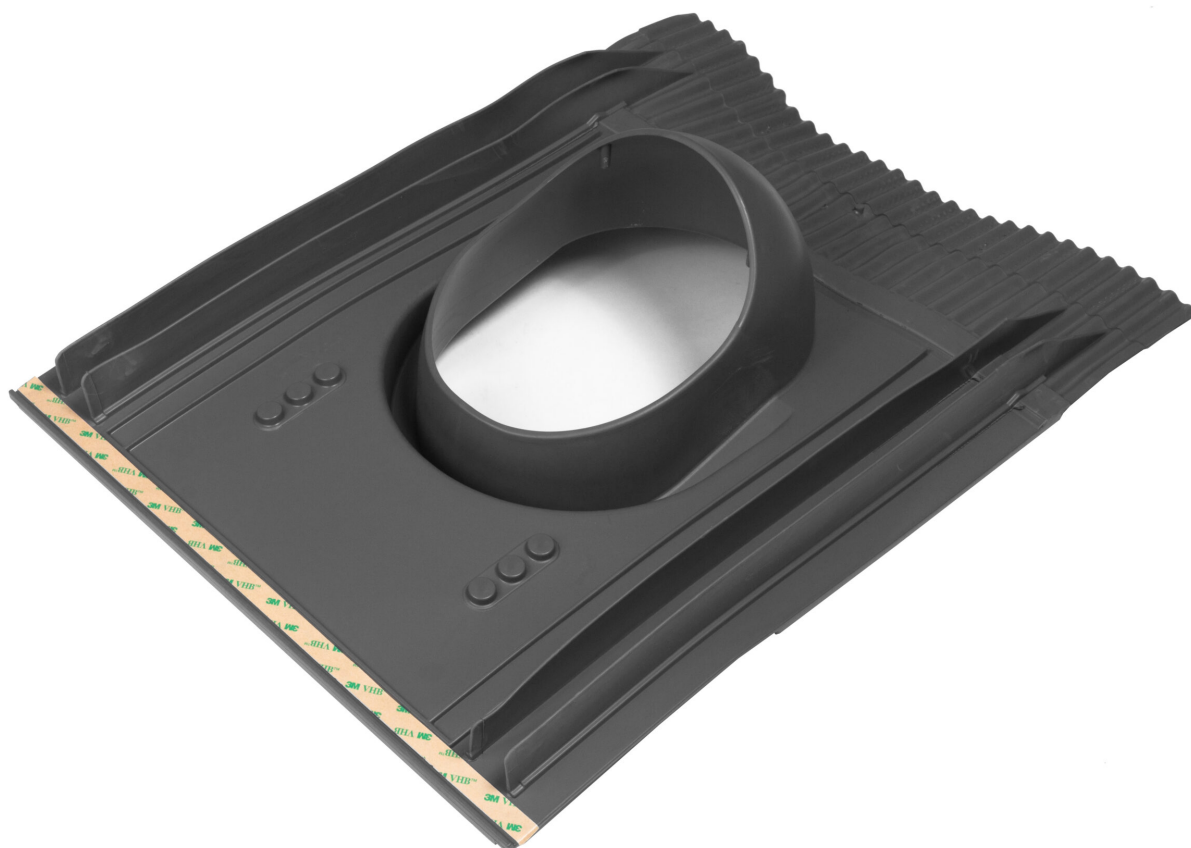
## UNIVERSAL PASS-THROUGH



---

[www.maxi-trade.nl](http://www.maxi-trade.nl)

## UNIVERSAL PASS-THROUGH



---

[www.maxi-trade.nl](http://www.maxi-trade.nl)



**ENG:** Mount the top part of the pass-through onto the batten with two short screws. Choose an appropriate seal of the three seal alternatives for the top edge of the pass-through. Remove the protective film of the tape from the pass-through, and mount the seal onto it. Make sure that it is in the correct location sideways.



**ENG:** Make sure there are no sharp edges in the tile under the seal. If the tile is high, you should bevel the end of the tile which comes under the corrugated rubber. This makes the installation look nicer. Remove the protective film from the bottom of the corrugated rubber, and hammer the corrugated rubber tightly straight against the roof tile from the entire width of the seal.



**ENG:** Then set all the tiles into place. You may have to cut off a piece from the bottom of some tiles, so that the tile sits evenly against the batten. Check with a builder's level that the pipe is vertical. Mount the pipes to the pass-through with six screws.



## Installation instruction of Universal –tile pass-through set

Vilpe Universal tile pass-through is designed to fit all tile roofs: clay, ceramic and concrete tiles, both 1- and 2 waves and also plain tiles. It is suitable for Vilpe P-model ventilation pipes and roof fans with diameters of 75 – 160 mm as well as for aerial sleeves.



**Package includes:**

pass-through, seal to upper side of the pass-through, bracket to bottom of the pass-through, 2 x 80 mm screw, 2 x 38 mm screw, underlay seal.



**ENG:** Remove one tile to which you will install a Universal tile pass-through. Make sure there is not a roof truss at that spot.







**ENG:** Mark a hole in the underlay by using the underlay seal. The seal must be attached to the lower batten.



**ENG:** Mount the underlay seal onto the wood through the underlay with screws. If the underlay is made of plastic and there is no wood under it, put the underlay seal under the plastic, so that the spikes go through the plastic. Press the plastic tightly against the silicone and screw down the screws in the upper and lower battens.



**ENG:** Make a hole of the size of the drawing in the underlay. If there is boarding under the underlay, cut a hole in it that is the same size as the hole in the underlay.



**ENG:** Attach the bracket to the side of the lowermost batten with two long screws. Check that the sideways location is correct.



**ENG:** Put rubberized bitumen sealant on the bottom surface of the underlay seal, if the underlay seal is made of bitumen. If the underlay is made of plastic, put silicone sealant on the top surface of the underlay seal at the place where there are spiked pins.



**ENG:** Now you can remove the tiles located next to the hole, so that you can install the pass-through on the long pins of the bracket. If the batten spacing is too close, you may have to make cuts in the batten on the topside, so that the cowl of the pass-through can fit between the battens.

