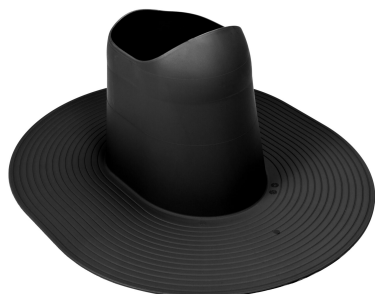


FELT TALL PASS-THROUGH



Color
Product number
LVI Code
EAN Code
Weight

Black | RR33 | RAL9005
740752
7814192
6410457407521
Gross: 1.26kg, Net: 1.072kg

Description: Felt roofing types while roof pitch less than 1:5 (11.5 degrees).

Dimensions: Stem height 200 mm.

Contents: Pass-through.



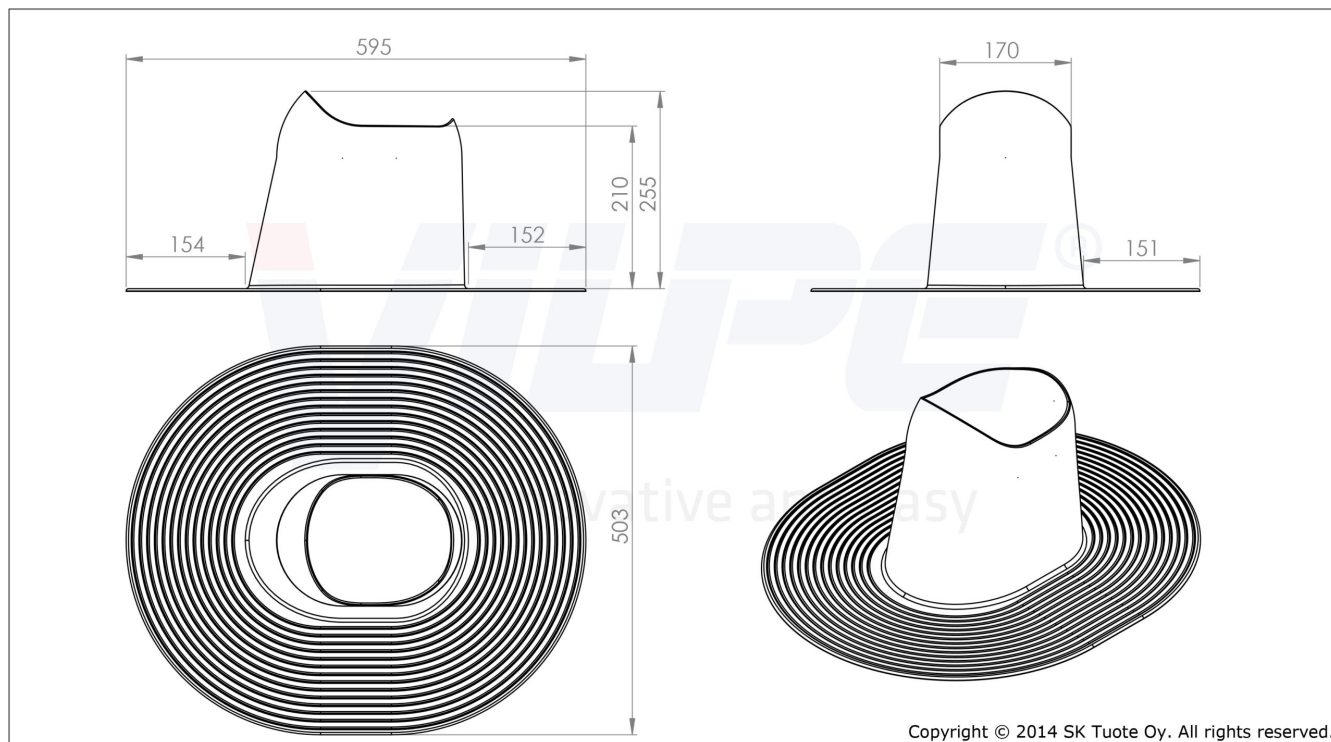
FELT TALL PASS-THROUGH

DESCRIPTION

Felt pass-through tall is for installing exhaust ventilation pipes and roof fans on lowpitched bitumen felt roofs (flat roofs). The tall felt pass-through is 200 mm high and it can be installed with VILPE® exhaust ventilation pipes and roof fans which has the diameter of inner pipe 110-160 mm. The width of the pass-through's flange is 150 mm. Exhaust ventilation pipes and roof fans which has diameter of inner pipe 160 mm can be installed straight when roof pitch is max 20 degrees. The same slope for 125 mm pipe is 25 degrees and for 110 mm pipe 27 degrees. The standard colours of Felt pass-through tall are black and grey. The Felt pass-through tall is designed for installation on roofs with a pitch of less than 1:5 (11.5 degrees).

www.maxi-trade.nl

FELT TALL PASS-THROUGH



Copyright © 2014 SK Tuote Oy. All rights reserved.

FELT TALL PASS-THROUGH



FELT TALL PASS-THROUGH

