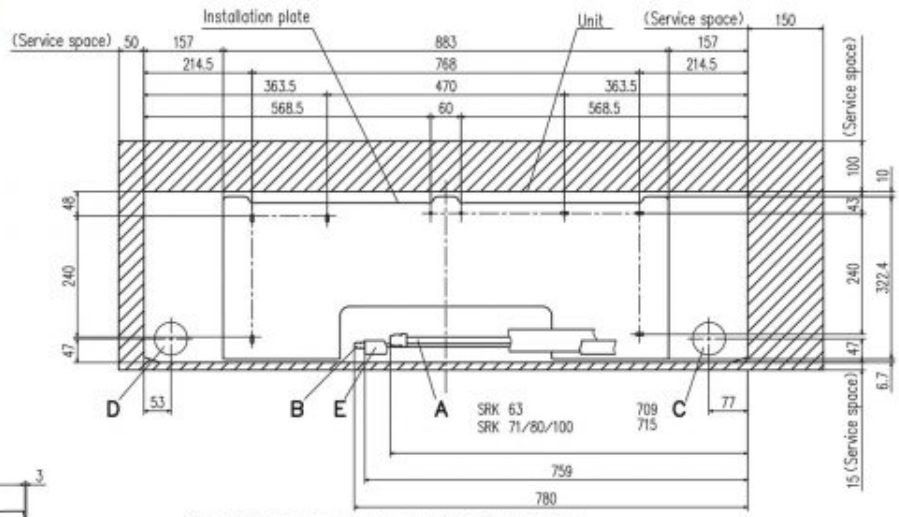
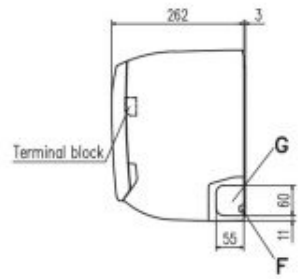
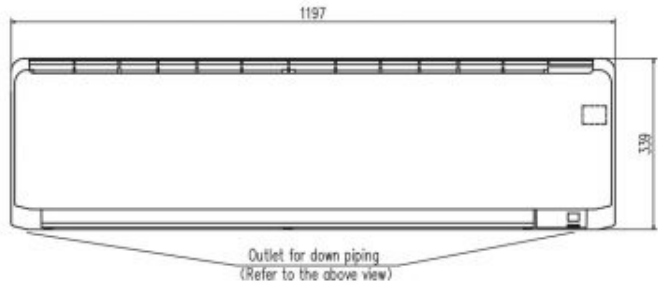
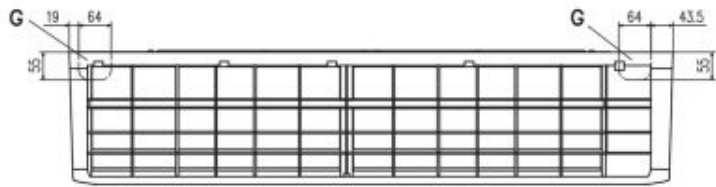


SRK63ZR-W SRK71ZR-W SRK80ZR-W
SRK63ZR-S SRK71ZR-S SRK80ZR-S SRK100ZR-S



Space for installation and service when viewing from the front

Symbol	Content	
A	Gas piping	SRK 63 SRK 71,80,100 #12.7 (1/2") (Flare) #15.88 (5/8") (Flare)
B	Liquid piping	SRK 63,71,80 SRK 100 #6.35 (1/4") (Flare) #9.52 (3/8") (Flare)
C	Hole on wall for right rear piping	(#65)
D	Hole on wall for left rear piping	(#65)
E	Drain hose	VP16
F	Outlet for wiring (on both side)	
G	Outlet for piping (on both side)	