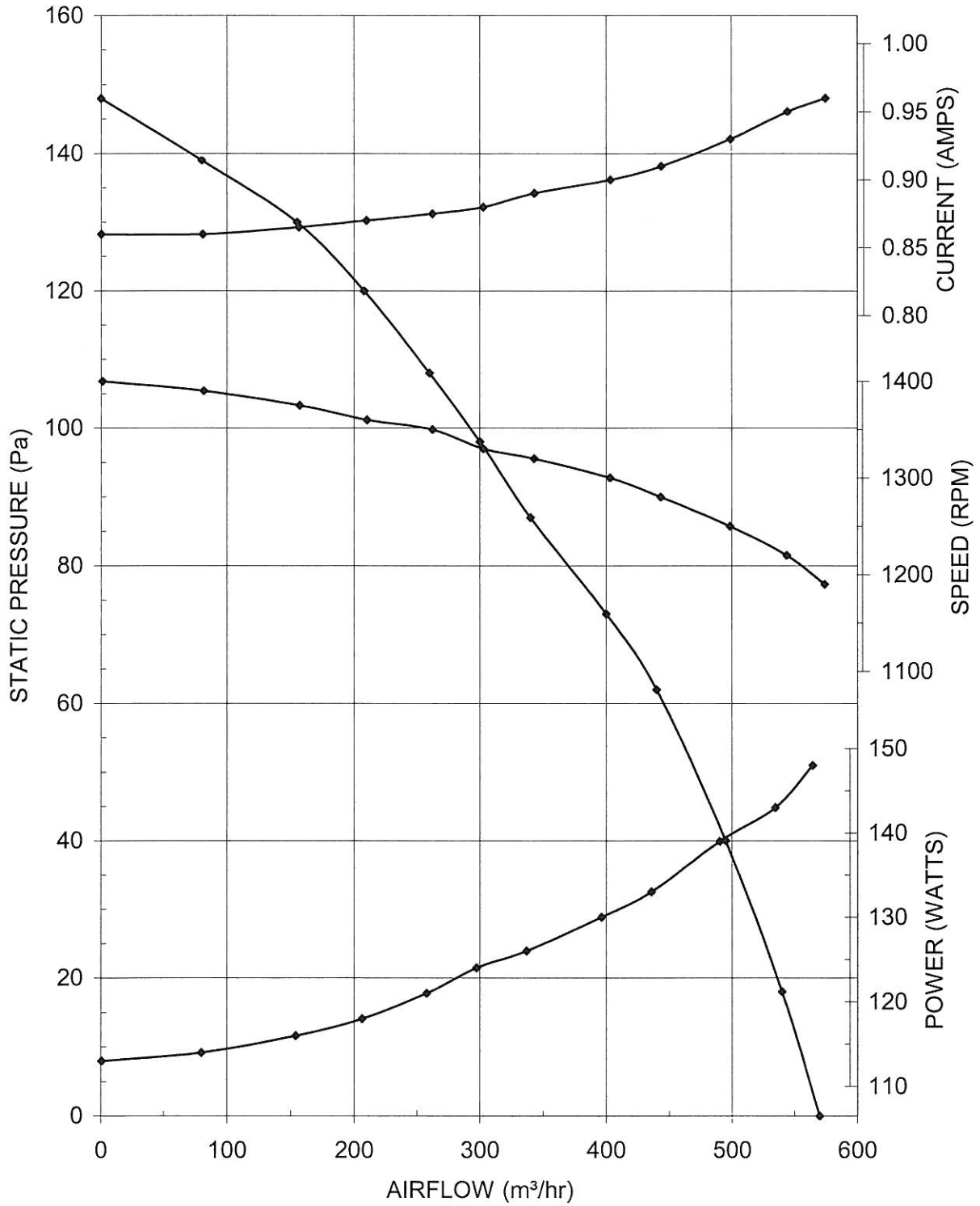
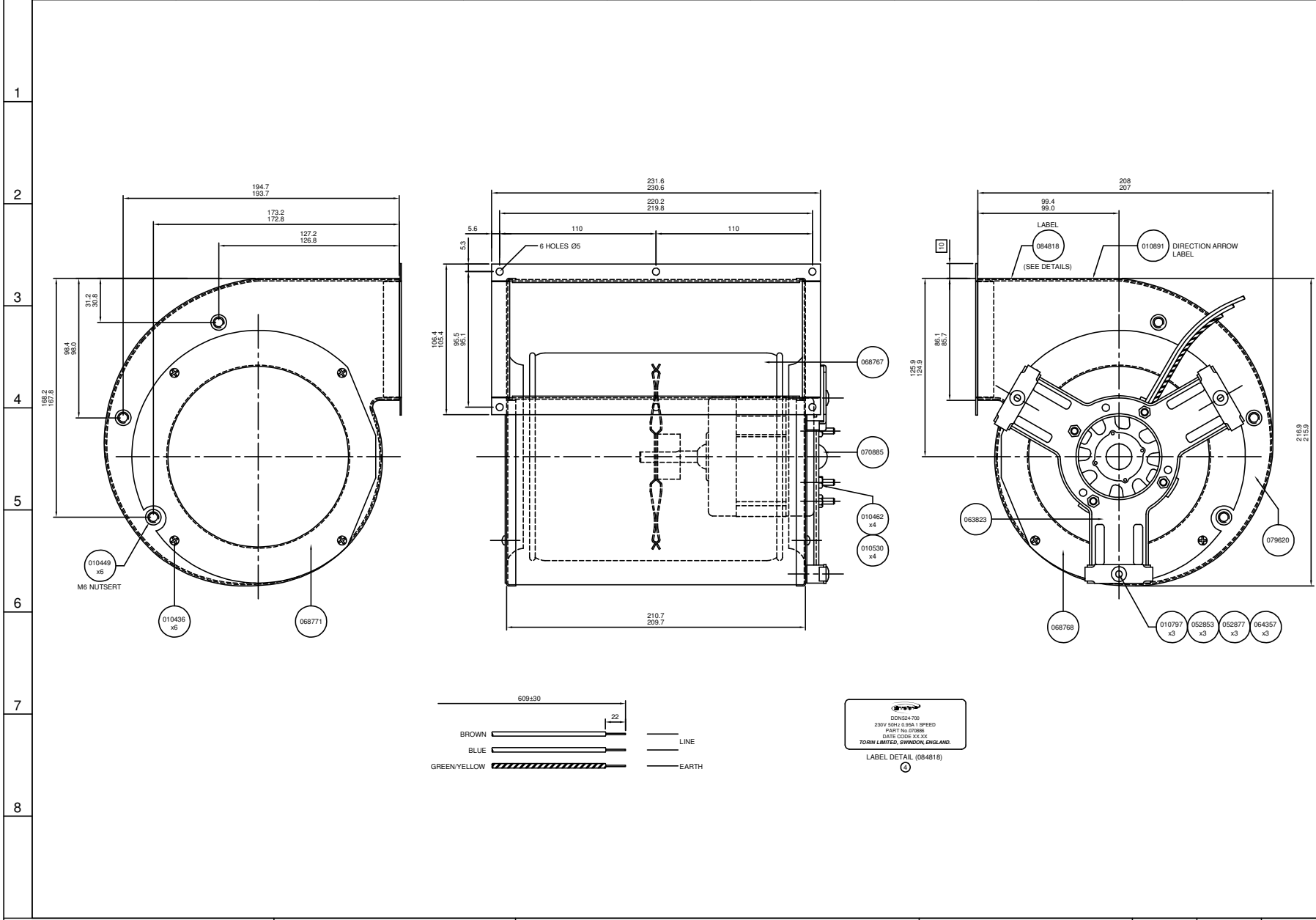


DDN146-178-30W-4P-1SP
 230V 50Hz 0.96A





4	REDRAWN NEW LABEL DETAILS	08/11/06	17062
C		21/11/02	16110
B		31/05/02	16011
A	ISSUED	23/10/00	

ISS. MODIFICATION DATE C/N NO.

MATERIAL

SEE DETAILS

FINISH

C
PAINT

FIRST USED ON

SIMILAR TO

DIRECTORY PATH
ASY / DDN / 524-700 / 070886

TITLE

ASY DDN524-700
300W 1 SPEED
230V 50Hz

DRAWING NO.

070886

Torin Limited
Drakes Way
Swindon Wiltshire
SN3 3JB
Tel : (01793) 524291

THIS DRAWING AND SPECIFICATIONS IS THE EXCLUSIVE PROPERTY OF TORIN LIMITED, ISSUED IN STRICT CONFIDENCE AND SHALL NOT BE REPRODUCED, COPIED OR USED FOR ANY REASON OTHER THAN WHICH IT IS ISSUED, WITHOUT THE WRITTEN PERMISSION OF TORIN LIMITED.

● TORIN LIMITED

PROJECTION

DRAWING GENERALLY CONFORMS TO BS 8888

ALL BS TO LATEST ISSUE

DR. DA	AP.
DATE 08/11/06	DATE

A2

DIMENSIONS IN MILLIMETRES

SCALE: 1:2
(UNLESS OTHERWISE STATED)

988070

DRAWING NO.