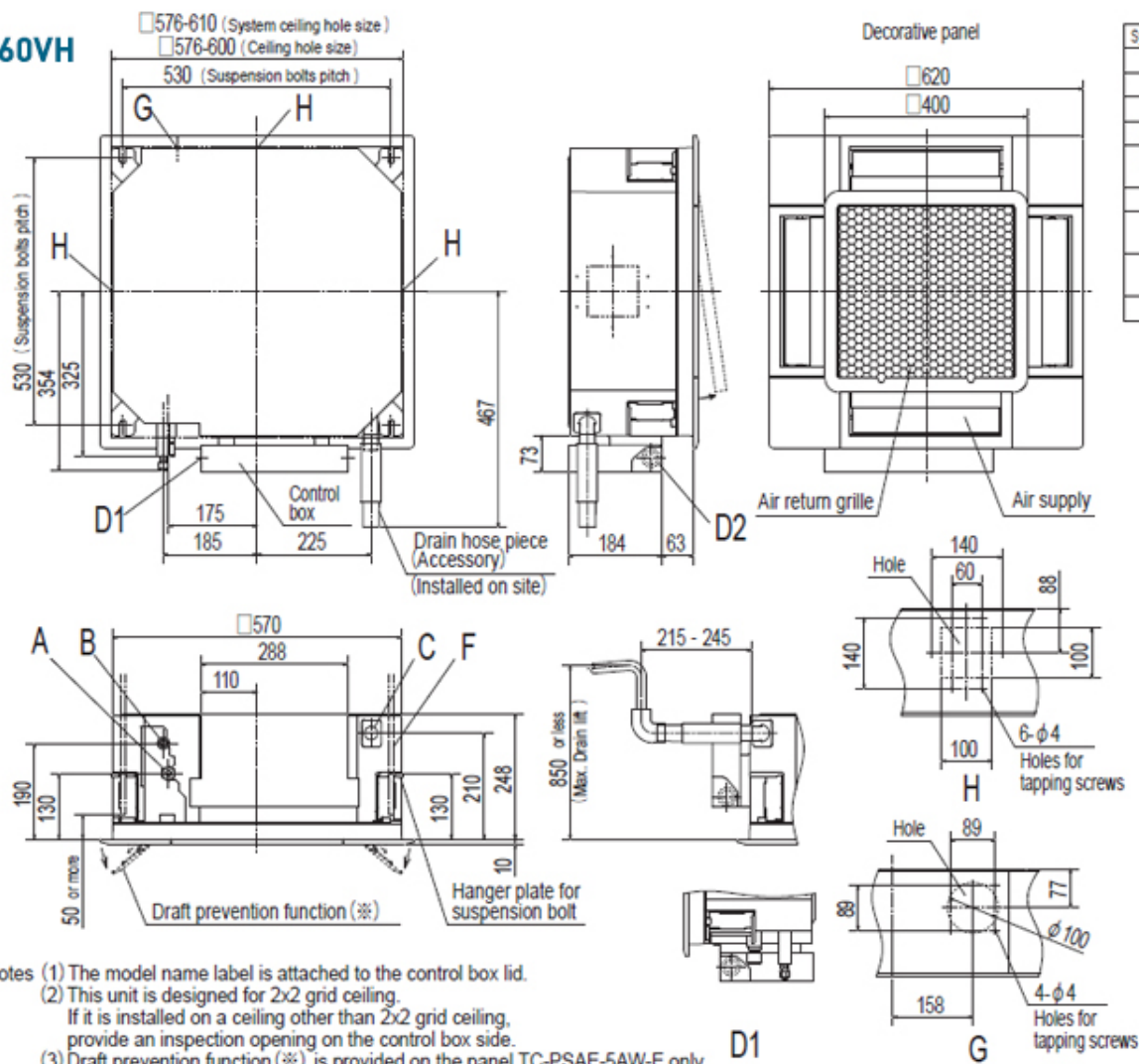


Unit: mm

## Models FDTC40VH, 50VH, 60VH



Symbol	Content	
A	Gas piping	φ12.7(1/2") (Flare)
B	Liquid piping	φ6.35(1/4") (Flare)
C	Drain piping	VP25(O.D.32)
D1	Power source connection	
D2	Remote control code and signal wiring connection	
F	Suspension bolts	(M10 or M8)
G	Outside air opening for ducting	(Knock out)
H	Air outlet opening for ducting	φ125(Knock out)
J	Inspection opening	450×450

- Notes (1) The model name label is attached to the control box lid.  
 (2) This unit is designed for 2x2 grid ceiling.  
 If it is installed on a ceiling other than 2x2 grid ceiling, provide an inspection opening on the control box side.  
 (3) Draft prevention function (※) is provided on the panel TC-PSAE-5AW-E only.