

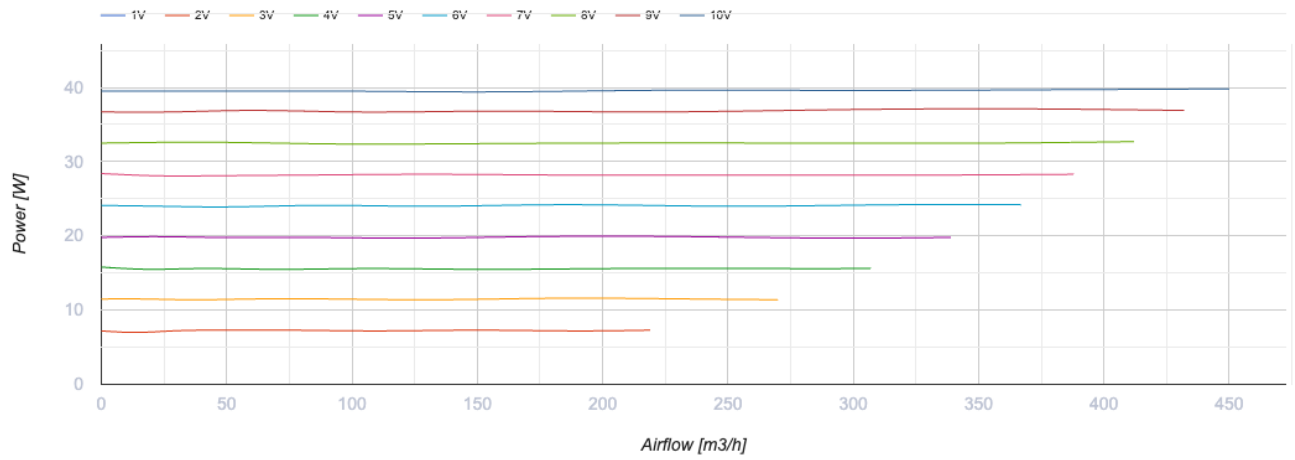
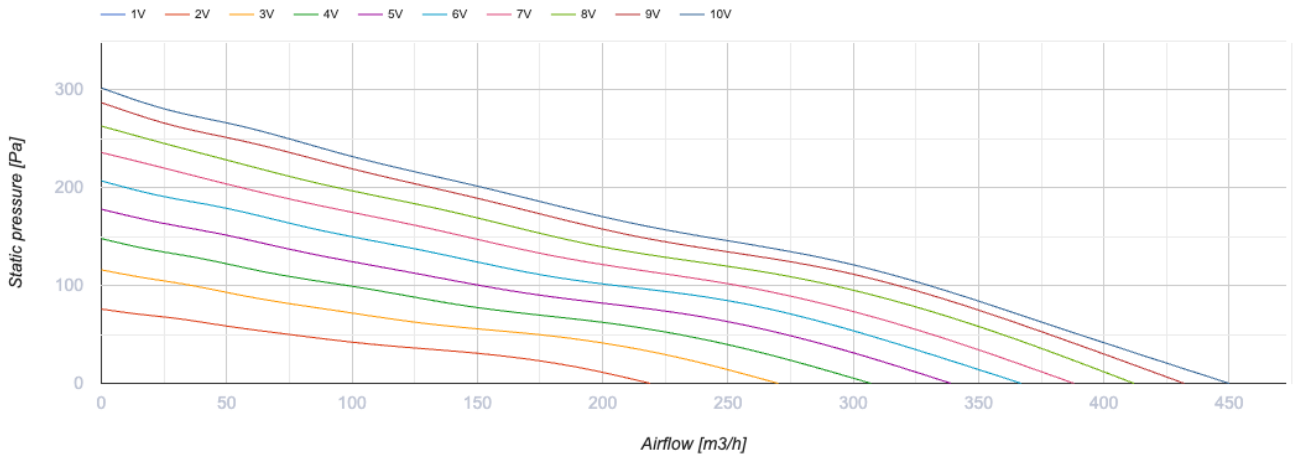
TT Silent-M 125 EC

Mixed-flow inline fans in sound-insulated casing with EC-motors

- Sound pressure level LpA at 3 m: 43
- Sound-insulated casing
- Impeller type: Mixed-flow
- Casing material: Coated steel
- Installation in any position

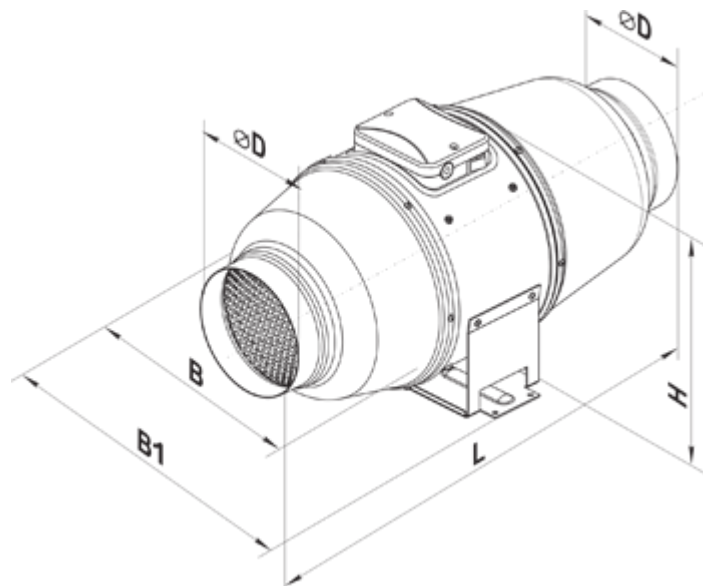


	Unit of measurement	TT Silent-M 125 EC
Connected air duct size	mm	125
Phases	-	1
Minimum supply voltage	V	230
Maximum supply voltage	V	230
Power supply frequency	Hz	50/60
Rated power	W	40
Unit current	A	0.37
Maximum airflow	m ³ /h	450
Rotation speed at 50hz	-	3750
Sound pressure level LpA at 3 m	dB(A)	43
Weight	kg	4.8
Transported air temperature (max)	°C	55
Transported air temperature (min)	°C	-25
Ingress protection rating	-	IPX4
Impeller material	-	Plastic

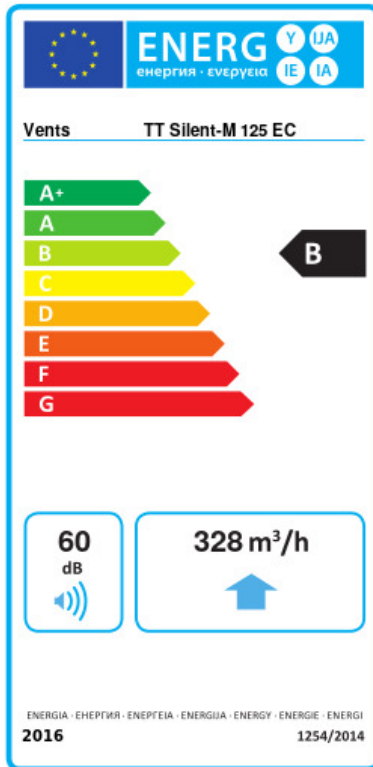


Dimensions

ØD	B	B1	L	H
123	215	332	474	247



Ecodesign



Trademark	Vents					
Model	TT Silent-M 125 EC					
Specific energy consumption (SEC) (kWh/(m ² /a))	Cold		Average		Warm	
	-54.5	A+	-27.4	B	-11.9	E
Type of ventilation unit	Unidirectional					
Type of drive installed	Variable speed					
Type of heat recovery system	None					
Maximum flow rate (m ³ /h)	328					
Electric power input (W)	39.8					
Reference flow rate (m ³ /s)	0.064					
Reference pressure difference (Pa)	50					
Specific power input (SPI) (W/(m ³ /h))	0.068					
Control typology	Local demand control					
Maximum external leakage rates (%)	2.7					
Declared typology	RVU UVU					
Sound power level (dB(A))	60					
The annual electricity consumption (AEC) (kWh/a)	Cold		Average		Warm	
	36		36		36	
The annual heating saved (AHS) (kWh/a)	Cold		Average		Warm	
	5536		2830		1280	